

Select a Language



Keypad Installation Guide

Installation du Clavier

Instalación del Teclado

Tastatur Montageanleitung

Instalação do Teclado

Instalacja Klawiatury



Keypad

Installation Guide

Table of Contents

INTRODUCTION.....	2
MOUNT A TAMPER EVIDENT KEYPAD (STANDARD & LOW PROFILE)	3
MOUNT A STANDARD PROFILE SERVICEABLE KEYPAD	4
MOUNT A LOW PROFILE SERVICEABLE KEYPAD	6
CONNECT A SAFE LOCK TO A KEYPAD	7
BATTERY ACCESS & INSTALLATION	8
STANDARD PROFILE (TAMPER EVIDENT) KEYPAD	8
STANDARD PROFILE SERVICEABLE KEYPAD.....	8
LOW PROFILE KEYPAD	9
SPECIFICATIONS	10

Introduction

The La Gard 700 series Keypads are available in the following variations:

- Standard Profile (Tamper Evident)
- Low Profile (Tamper Evident)
- Standard Profile (Serviceable)
- Low Profile (Serviceable).

Mount the Keypad and connect to a compatible 700 series lock before installing battery or AC power.

- Tamper Evident Standard Profile Keypads are powered by 2 9-volt batteries which are accessible via the removeable battery tray.
- Serviceable Standard Profile Keypads are powered by 2 9-volt batteries which are accessible by removing the front of the keypad itself.
- Low Profile Keypads must be installed with a secondary battery box or AC Power Adapter.

Mount a Tamper Evident Keypad (Standard & Low Profile)

Prior to connecting a safe lock to a Keypad, the Keypad must first be mounted to the exterior of the safe door. Follow these steps to properly mount a Keypad to the safe door:

1. Drill and tap the holes into the outside of the safe wall using the provided drill and tap template. Deburr the middle hole with a file or rotary tool.

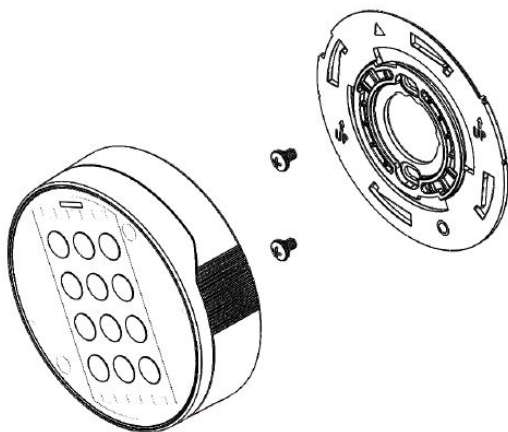
Note: Some safe manufacturers might include these holes at the OEM level.

2. Attach the Keypad baseplate onto the safe door using the provided Phillips head screws. The screws provided come in two variants: Metric M4-07 or US Customary Unit #8-32.
3. If mounting a deadbolt or springbolt, do the following:



Do not use the anti-rotate device during this process, as it will render the safe permanently locked.

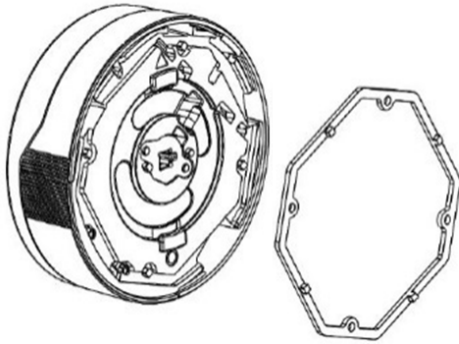
- a. Run the safe lock cable through the cable holder and place the cable holder over the corresponding posts of the Keypad body
- b. Press the spindle all the way through the bottom of the plastic housing
- c. Place the Keypad on the door. Rotate the Keypad 25 degrees clockwise so that it is vertically aligned. Measure 0.354 inches (9.0 mm) past the edge of the safe door and mark the spindle with a pen or marker.
- d. Remove the Keypad from the safe door and remove the spindle from the Keypad
- e. Cut the spindle to the appropriate length as determined from Step c
- f. Place the newly cut spindle into the Keypad, once again feeding it through the cable and spindle holder
- g. Run the safe lock cable through the opening in the safe door
- h. Place the Keypad over the opening in the grooves of the baseplate and rotate it 25 degrees to the vertical position



4. If mounting a swingbolt, do the following:
 - a. Place the anti-rotate device inside the four-hole locations in the housing. Press down lightly so the anti-rotate device sinks into the channel in the housing

Note: Ensure that the anti-rotate device is oriented properly, otherwise it will not engage properly with the baseplate when installed.

- b. Run the cable through the opening in the cable holder and place the cable holder over the corresponding posts in the Keypad body
- c. Run the safe lock cable through the opening in the safe door
- d. Place the Keypad over the opening in the channel of the baseplate and rotate 25 degrees to the vertical position. Some resistance occurs when winding up the anti-rotate device
- e. The anti-rotate device will click into place, permanently locking the Keypad into a vertical position; the Keypad cannot be removed from the safe door without damaging the Keypad
- f. Install the swingbolt



Mount a Standard Profile Serviceable Keypad

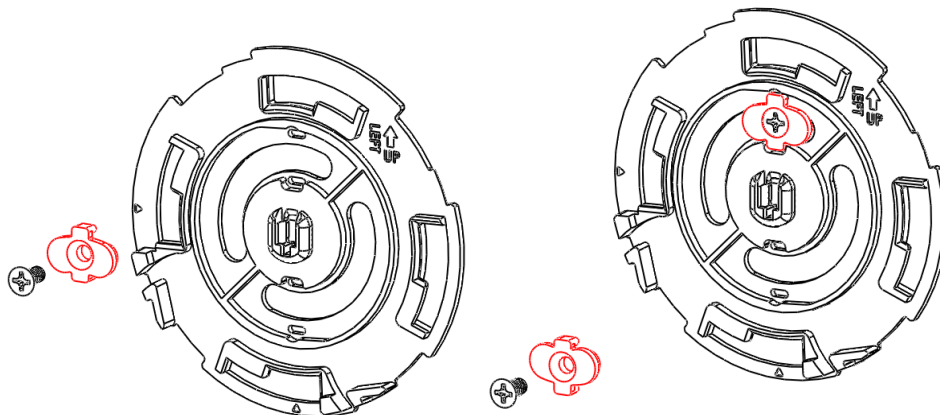
Follow these steps to properly mount a Standard Profile Serviceable Keypad to the safe door:

1. Drill and tap the holes into the outside of the safe wall using the provided drill and tap template. Deburr the middle hole with a file or rotary tool.

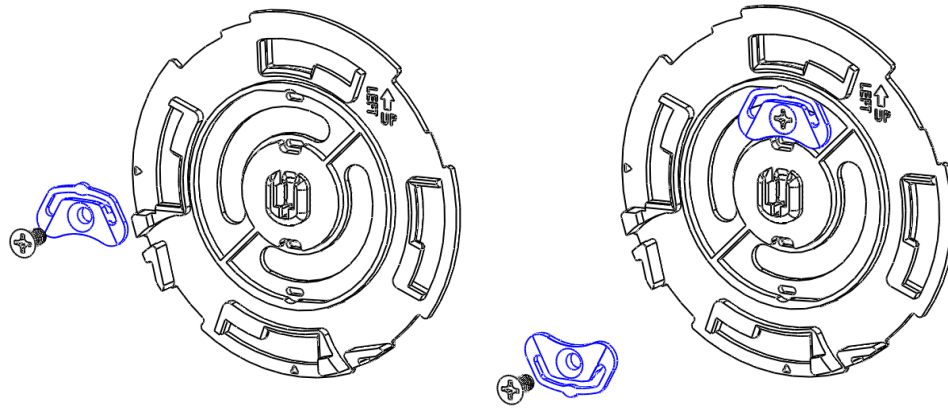
Note: Some safe manufacturers might include these holes at the OEM level.

2. Mount the baseplate using the proper retainers for the desired lock type. Prior to mounting, align the baseplate in the correct position using the reference arrow pointing to the top.

Note: If you are using horizontal holes, then the reference arrow should be pointing to the left.

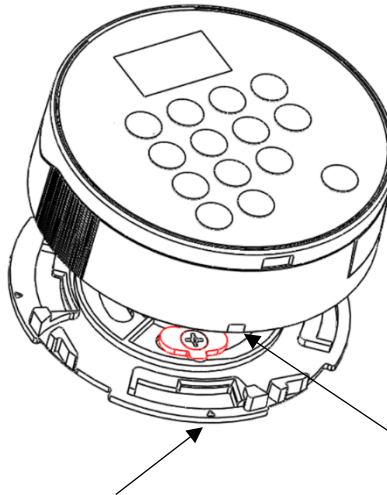


- a. For the Swingbolt application, use the retainer type shown above in Red.



b. For the Deadbolt and Springbolt application, use the retainer type shown above in [Blue](#).

3. Feed the lock cable through the hole in the baseplate so that it emerges from the other side of the safe door.
4. Line up divot on bottom of keypad body with triangular mark on baseplate (see arrows on diagram below). Once aligned, install by pressing the keypad up against the baseplate, then rotating clockwise until the keypad latches in place.



5. If installing a deadbolt or springbolt, do the following:
 - a. Make sure that the keypad is in its vertical orientation (not rotated to the side).
 - b. From the inside of the safe door, insert the spindle through the central hole into the square opening in the baseplate. Orient the spindle so that the groove in the spindle faces upward if you used the vertical screw holes or faces to the right if you used the horizontal screw hole pattern. Place the spindle such that the lock cable runs inside of or alongside the groove.
 - c. Measure .354 inches (9.0mm) past the edge of the safe door and mark the spindle with a pen or marker.
 - d. Remove the spindle from the safe door, then cut the spindle to the appropriate length as determined in step c.
 - e. Place the newly cut spindle into the keypad, then route the cable the same way as described in step b.

Mount a Low Profile Serviceable Keypad

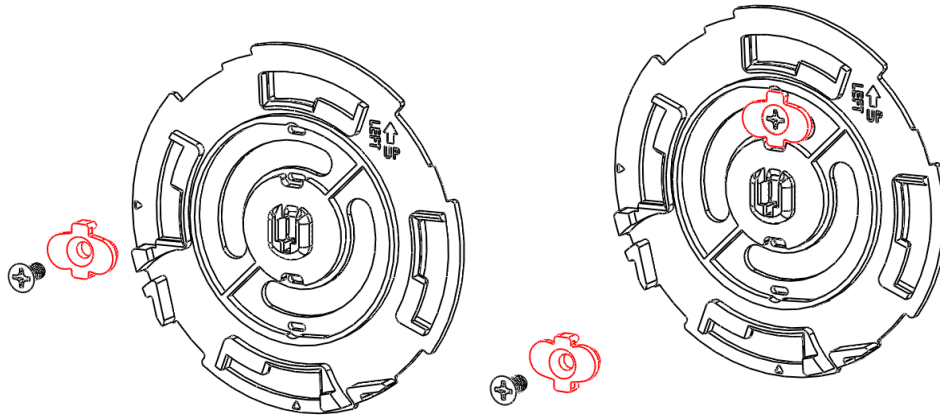
Follow these steps to properly mount a Low Profile Keypad to the safe door:

1. Drill and tap the holes into the outside of the safe wall using the provided drill and tap template. Deburr the middle hole with a file or rotary tool.

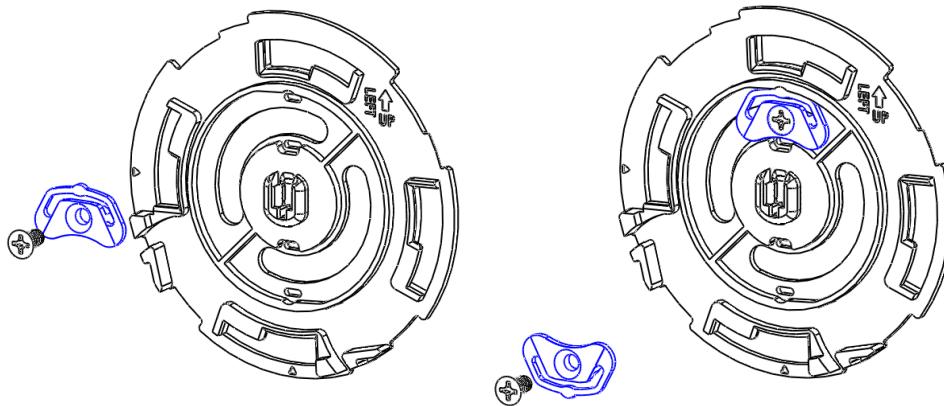
Note: Some safe manufacturers might include these holes at the OEM level.

2. Mount the baseplate using the proper retainers for the desired lock type. Prior to mounting, align the baseplate in the correct position using the reference arrow pointing to the top.

Note: If you are using horizontal holes, then the reference arrow should be pointing to the left.



- c. For the Swingbolt application, use the retainer type shown above in Red.

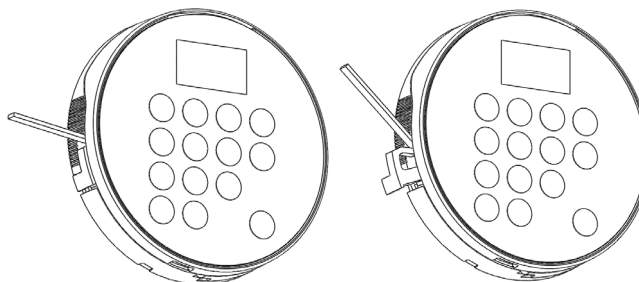


- d. For the Deadbolt and Springbolt application, use the retainer type shown above in Blue.

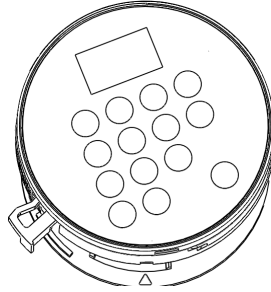
3. Mount the baseplate using the proper retainers for the desired lock type.

Note: This process is very similar to the method described for the Standard Profile Serviceable Keypad, however the baseplates are different.

4. Release retaining latch with a small flat blade screwdriver or plastic shim and pull partially out.



5. Feed the keypad cable through the hole in the baseplate so that it emerges from the other side of the safe door.
6. Line up divot on bottom of keypad body with triangular mark on baseplate.

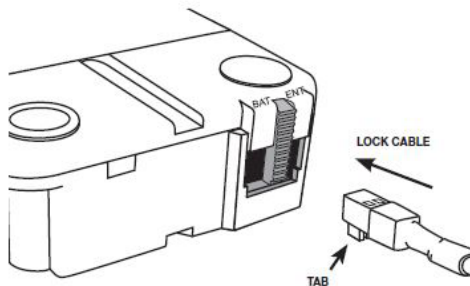


7. Once aligned, install by pressing the keypad up against the baseplate, then rotating clockwise until the keypad latches in place. At this point, it should be vertically aligned.
8. Push retaining latch back into the housing port to hold the keypad in place and prevent it from rotating and falling off the safe door.
9. If installing a deadbolt or springbolt, do the following:
 - a. Make sure that the keypad is in its vertical orientation (not rotated to the side).
 - b. From the inside of the safe door, insert the spindle through the central hole into the square opening in the baseplate. Orient the spindle so that the groove in the spindle faces upward if you used the vertical screw holes or faces to the right if you used the horizontal screw hole pattern. Place the spindle such that the lock cable runs inside of or alongside the groove.
 - c. Measure .354 inches (9.0mm) past the edge of the safe door and mark the spindle with a pen or marker.
 - d. Remove the spindle from the safe door, then cut the spindle to the appropriate length as determined in step c.
 - e. Place the newly cut spindle into the keypad, then route the cable the same way as described in step b.

Connect a Safe Lock to a Keypad

Once the Keypad and safe lock(s) are physically installed onto the safe, they can be connected to form a System. Follow these steps to connect a safe lock to a Keypad:

1. For single lock Systems, do the following:
 - a. Connect the cable from the Keypad into the ENT port. With the lock connected, apply power to the system. If a Battery Box, Alarm Box or AC power adapter is used, plug the cable from any of those accessories into the safe lock BAT port (as shown in the diagram below)



- b. Follow the on-screen prompts for Display Keypads or consult the System User Guide (Document #7040.1121) for non-Display Keypads to enter the lock settings and initialization
2. For multi-lock Systems, do the following:

- a. Connect the Keypad cable to the port on the side of the Multiplexer
- b. Connect the first safe lock (known as Lock #1 to the System) from the ENT port to the #1 input on the Multiplexer
- c. From Lock #1, connect from the BAT port to a power supply (either the AC Adapter into a wall receptacle or to the BAT port of a Battery Box)
- d. Repeat Step b for each safe lock
- e. Display Keypads will show prompts on screen to continue, while non-Display Keypads require pound (#) commands. Consult the System User Guide (Document #7041.0320) for more information

Battery Access & Installation

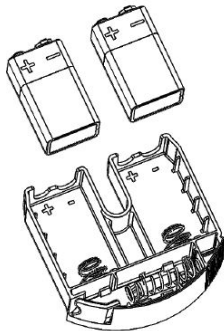
The System can be powered multiple ways: AC adapter (see Document #7037.0320), Battery Box (see Document #7035.0320), and/or battery power from the Keypad.

Only the standard profile Keypad possesses a battery pack for primary power, while a low-profile version uses a battery backup in case of emergencies.

Standard Profile (Tamper Evident) Keypad

For Standard Profile (Tamper Evident) Keypads, do the following to access and install the batteries:

1. Press downward on the spring-loaded button located at the bottom of the keypad's battery pack. The spring mechanism will partially eject the battery pack out of the housing.
2. With the battery pack partially removed, grab the tip of the battery pack and remove it from the Keypad.



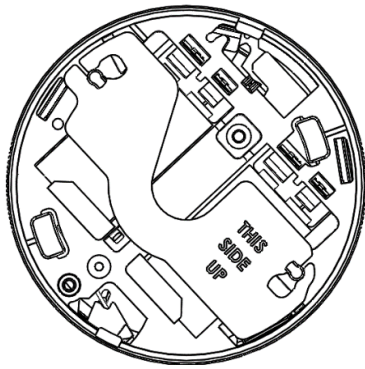
3. At this point the batteries are free to be added/removed/replaced. When installing the 9V batteries, use the markers in the battery tray to ensure the proper +/- orientation for each battery.
4. When finished installing the batteries into the battery tray, slide the tray back into the housing unit. When this is done properly, you should hear a small "click" sound ensuring the tray is secured properly.

Standard Profile Serviceable Keypad

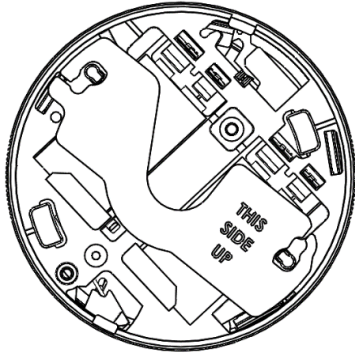
For standard profile Keypads, do the following to access and install the batteries:

1. First, press the button on the underside of the keypad body. While holding this button, rotate the keypad counterclockwise until it becomes free from the baseplate. Flip over the keypad so that the reverse side of the keypad body is visible.

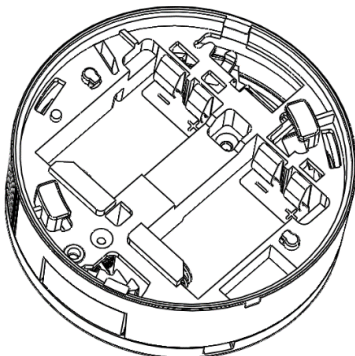
The reverse side of the keypad, with the battery cover in place, appears as follows:



2. Twist the battery cover counterclockwise to detach it from the housing, as shown below:



3. Remove the battery cover and install the batteries. Use the labels in the battery tray to ensure the proper +/- orientation for each battery.



4. The battery cover can be reinserted the same way that it was removed: by lining up the posts (with the "this side up" label oriented as pictured) and twisting the cover so that the posts engage with the battery cover.
5. Replace the body of the keypad back onto the keypad by lining up the divot with the triangle on the keypad and rotating clockwise until the keypad body stops moving.

Low Profile Keypad

For Low Profile Keypads, do the following to access and install the backup battery:

1. If backup (emergency) power is needed, flip up the battery panel on the lower housing, which will release a battery strap.
2. Connect the 9V battery to the strap and use that power to get into the safe. After the safe door is opened, disconnect the 9V battery and fold the strap back into the Low Profile Keypad.

Specifications

Batteries

Standard Profile Keypad: 2 x 9V DC alkaline batteries (Eveready™ or Duracell™ strongly preferred)

Low Profile Keypad: 1 x 9V DC alkaline batteries (Eveready™ or Duracell™ strongly preferred, for emergency access)

Relay

12V DC @ 20 mA Max input

Environmental

Operating & Storage Temperature Range: For UL compliance, this product was verified for operation at 32 – 122 °F (0 – 50 °C)

Relative Humidity Range: 0 – 95% non-condensing

Safe Lock Models

Keypad Models 701, 702, 702D, 703, 703B, 704, 704B and 705 (Input Units Keypads) for use with High Security Lock Models 731 (Deadbolt), 732 (Springbolt), 733 (Swingbolt), and 734 (Redundant Lock).

Keypad Models 7BAS for use with High Security Lock Models 7B1 (Deadbolt) and 7B3 (Swingbolt).



Clavier

Guide d'installation

Table des matières

INTRODUCTION	2
INSTALLATION D'UN CLAVIER ANTI-VANDALISME (PROFIL STANDARD ET PROFIL BAS)	3
INSTALLATION D'UN CLAVIER A PROFIL STANDARD FACILE A ENTRETENIR	4
INSTALLATION D'UN CLAVIER A PROFIL BAS FACILE A ENTRETENIR	5
CONNECTER UNE SERRURE SECURISEE A UN CLAVIER	7
ACCES AUX PILES ET INSTALLATION	8
CLAVIER A PROFIL STANDARD (ANTI-VANDALISME)	8
CLAVIER A PROFIL STANDARD FACILE A ENTRETENIR.....	8
CLAVIER A PROFIL BAS.....	9
SPECIFICATIONS	10

Introduction

Les claviers La Gard de la série 700 sont disponibles dans les variantes suivantes :

- Profil standard (anti-vandalisme)
- Profil bas (anti-vandalisme)
- Profil standard (facile à entretenir)
- Profil bas (facile à entretenir)

Installez le clavier et connectez-le à une serrure compatible de la série 700 avant d'installer la batterie ou l'alimentation CA.

- Les claviers anti-vandalisme à profil standard sont alimentés par deux piles de 9 volts accessibles par le bac à piles amovible.
- Les claviers à profil standard faciles à entretenir sont alimentés par deux piles de 9 volts accessibles en retirant la face avant du clavier.
- Les claviers à profil bas doivent être installés avec un boîtier de piles secondaire ou un adaptateur d'alimentation CA.

Installation d'un clavier anti-vandalisme (profil standard et profil bas)

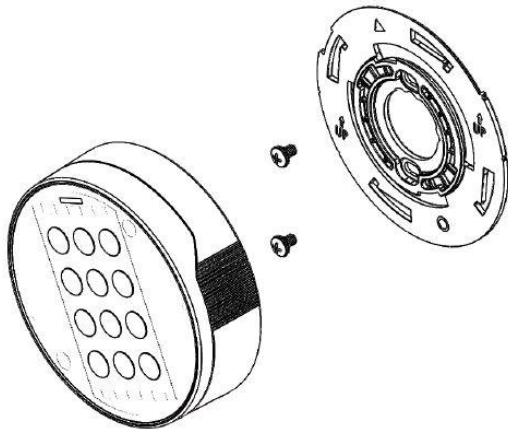
Avant de connecter une serrure sécurisée à un clavier, ce dernier doit être installé à l'extérieur de la porte du coffre-fort. Suivez les étapes suivantes pour installer correctement un clavier sur la porte du coffre-fort :

1. Percez et taraudez les trous à l'extérieur de la paroi du coffre-fort à l'aide du gabarit de perçage et de taraudage fourni. Ébavurez le trou central à l'aide d'une lime ou d'un outil rotatif.
Note : Certains fabricants de coffres-forts peuvent intégrer ces trous au niveau des OEM.
2. Fixez le châssis du clavier sur la porte du coffre-fort à l'aide des vis cruciformes fournies. Les vis fournies sont de deux types : Métrique M4-07 ou US #8-32.
3. Si vous installez un pêne dormant ou un verrou à ressort, procédez comme suit :



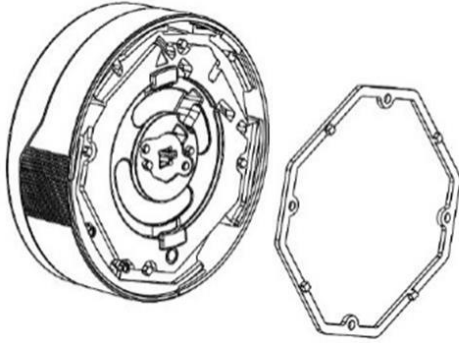
N'utilisez pas le dispositif anti-rotation pendant cette opération, car cela verrouillerait définitivement le coffre-fort.

- a. Faites passer le câble de la serrure sécurisée dans le porte-câble et placez le porte-câble sur les montants correspondants du boîtier du clavier.
- b. Enfoncez la tige jusqu'au fond du boîtier en plastique.
- c. Placez le clavier sur la porte. Faites pivoter le clavier de 25 degrés dans le sens des aiguilles d'une montre afin de l'aligner verticalement. Mesurez 0,354 pouce (9,0 mm) au-delà du bord de la porte du coffre-fort et marquez la tige à l'aide d'un stylo ou d'un marqueur.
- d. Retirez le clavier de la porte du coffre-fort et retirez la tige du clavier.
- e. Coupez la tige à la longueur appropriée, comme indiqué à l'étape c.
- f. Placez la tige coupée dans le clavier, en la faisant à nouveau passer par le support de câble et de tige.
- g. Faites passer le câble de la serrure sécurisée par l'ouverture de la porte du coffre-fort.
- h. Placez le clavier sur l'ouverture des rainures du châssis et faites-le pivoter de 25 degrés en position verticale.



4. Si vous installez un pêne pivotant, procédez comme suit :
 - a. Placez le dispositif anti-rotation dans les quatre trous du boîtier. Appuyez légèrement pour enfoncer le dispositif anti-rotation dans le boîtier.
Note : Veillez à ce que le dispositif anti-rotation soit bien positionné, sinon il ne s'enclenchera pas bien dans le châssis lors de l'installation.

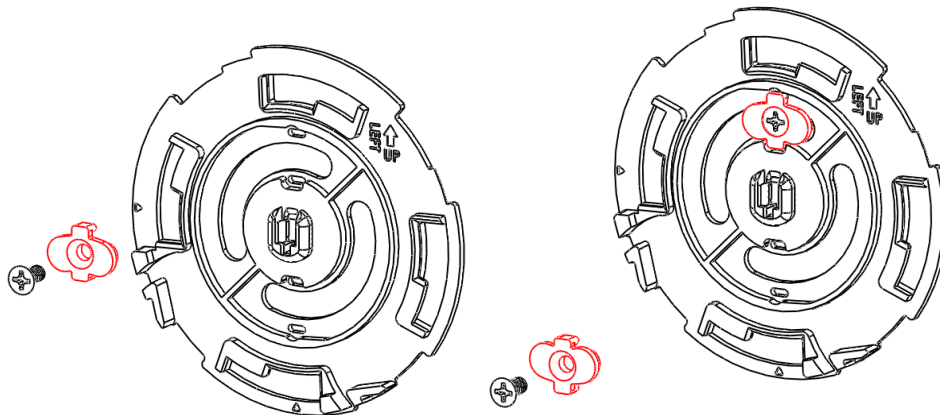
- b. Faites passer le câble par l'ouverture du porte-câble et placez le porte-câble sur les montants correspondants du boîtier du clavier.
- c. Faites passer le câble de la serrure sécurisée par l'ouverture de la porte du coffre-fort.
- d. Placez le clavier sur l'ouverture de la goulotte du châssis et faites-le pivoter de 25 degrés en position verticale. Une certaine résistance se produit lors de l'enroulement du dispositif anti-rotation.
- e. Le dispositif anti-rotation s'enclenche, verrouillant définitivement le clavier en position verticale ; le clavier ne peut pas être retiré de la porte du coffre-fort sans être endommagé.
- f. Installez le pêne pivotant.



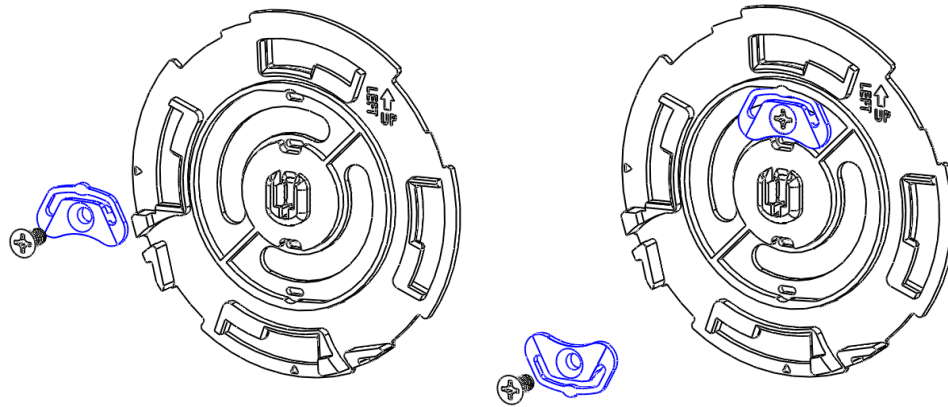
Installation d'un clavier à profil standard facile à entretenir

Suivez les étapes suivantes pour installer correctement un clavier à profil standard facile à entretenir sur la porte du coffre-fort :

1. Percez et taraudez les trous à l'extérieur de la paroi du coffre-fort à l'aide du gabarit de perçage et de taraudage fourni. Ébavurez le trou central à l'aide d'une lime ou d'un outil rotatif.
Note : Certains fabricants de coffres-forts peuvent intégrer ces trous au niveau des OEM.
2. Montez le châssis à l'aide des supports appropriés pour le type de serrure souhaité. Avant le montage, placez le châssis dans la bonne position à l'aide de la flèche de référence pointant vers le haut.
Note : Si vous utilisez des trous horizontaux, la flèche de référence doit pointer vers la gauche.

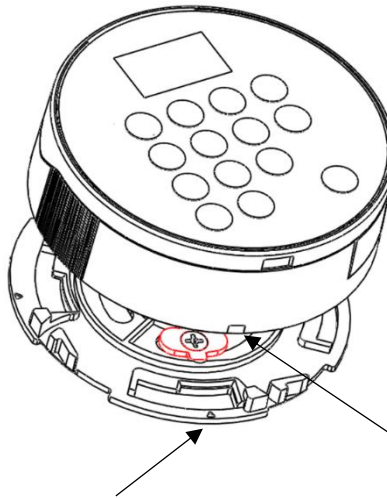


- a. Pour le pêne pivotant, utilisez le type de support indiqué ci-dessus en Rouge.



b. Pour le pêne dormant et le verrou à ressort, utilisez le type de support indiqué ci-dessus en **Bleu**.

3. Faites passer le câble de verrouillage par le trou du châssis de manière à ce qu'il ressorte de l'autre côté de la porte du coffre-fort.
4. Alignez la fente située sous le clavier avec le repère triangulaire du châssis (voir les flèches sur le schéma ci-dessous). Une fois l'alignement réalisé, installez le clavier en le pressant contre le châssis, puis en le faisant pivoter dans le sens des aiguilles d'une montre jusqu'à ce qu'il s'enclenche.

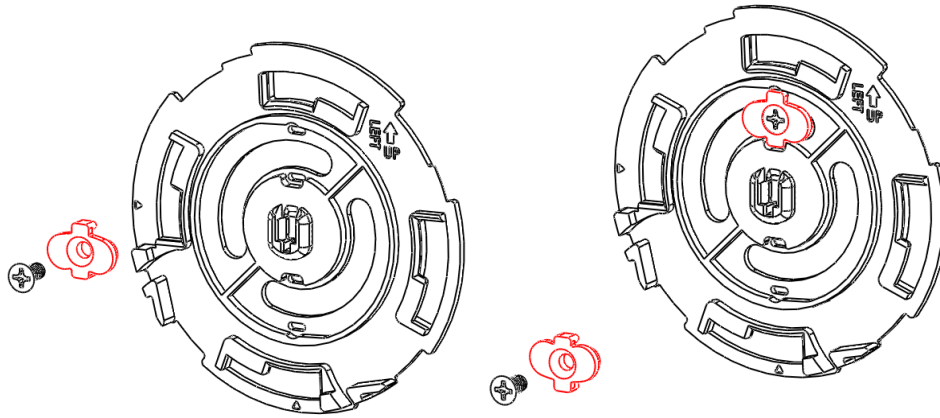


5. Si vous installez un pêne dormant ou un verrou à ressort, procédez comme suit :
 - a. Assurez-vous que le clavier est en position verticale (non tourné sur le côté).
 - b. Depuis l'intérieur de la porte du coffre-fort, insérez la tige par le trou central dans l'ouverture carrée du châssis. Orientez la tige de manière à ce que la rainure pointe vers le haut si vous avez utilisé les trous de vis verticaux ou vers la droite si vous avez utilisé les trous de vis horizontaux. Placez la tige de manière à ce que le câble de verrouillage passe à l'intérieur ou le long de la rainure.
 - c. Mesurez 0,354 pouce (9,0 mm) au-delà du bord de la porte du coffre-fort et marquez la tige à l'aide d'un stylo ou d'un marqueur.
 - d. Retirez la tige de la porte du coffre-fort, puis coupez-la à la longueur appropriée, comme indiqué à l'étape c.
 - e. Placez la tige coupée dans le clavier, puis acheminez le câble, comme décrit à l'étape b.

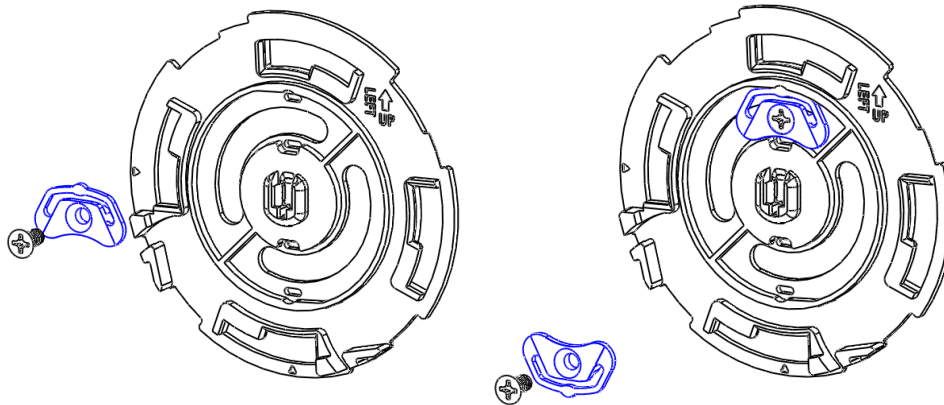
Installation d'un clavier à profil bas facile à entretenir

Suivez les étapes suivantes pour installer correctement un clavier à profil bas sur la porte du coffre-fort :

1. Percez et taraudez les trous à l'extérieur de la paroi du coffre-fort à l'aide du gabarit de perçage et de taraudage fourni. Ébavurez le trou central à l'aide d'une lime ou d'un outil rotatif.
Note : Certains fabricants de coffres-forts peuvent intégrer ces trous au niveau des OEM.
2. Montez le châssis à l'aide des supports appropriés pour le type de serrure souhaité. Avant le montage, placez le châssis dans la bonne position à l'aide de la flèche de référence pointant vers le haut.
Note : Si vous utilisez des trous horizontaux, la flèche de référence doit pointer vers la gauche.

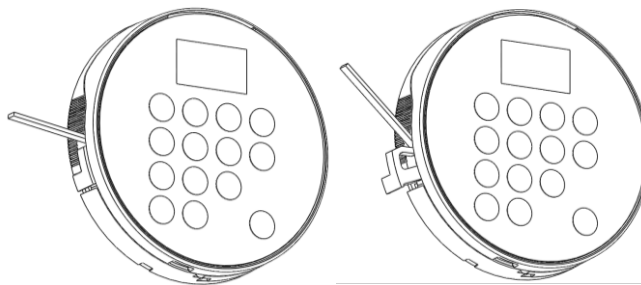


- c. Pour le pêne pivotant, utilisez le type de support indiqué ci-dessus en Rouge.

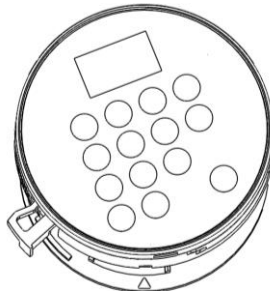


- d. Pour le pêne dormant et le verrou à ressort, utilisez le type de support indiqué ci-dessus en Bleu.

3. Montez le châssis à l'aide des supports appropriés pour le type de serrure souhaité.
Note : Ce processus est très similaire à celui du clavier à profil standard, mais les châssis sont différents.
4. Déverrouillez le pêne de retenue à l'aide d'un petit tournevis à lame plate ou d'une cale en plastique et tirez partiellement vers l'extérieur.



5. Faites passer le câble du clavier par le trou du châssis de manière à ce qu'il ressorte de l'autre côté de la porte du coffre-fort.
6. Alignez la fente située sous le clavier avec le repère triangulaire du châssis.

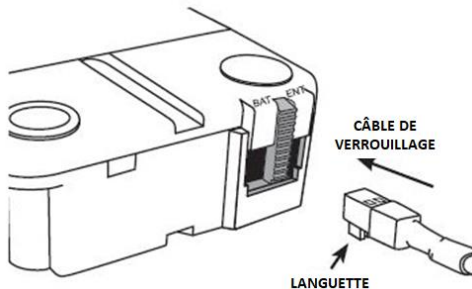


7. Une fois l'alignement réalisé, installez le clavier en le pressant contre le châssis, puis en le faisant pivoter dans le sens des aiguilles d'une montre jusqu'à ce qu'il s'enclenche. Le clavier doit alors être aligné verticalement.
8. Repoussez le pêne de retenue dans l'orifice du boîtier pour maintenir le clavier en place et l'empêcher de pivoter et de tomber de la porte du coffre-fort.
9. Si vous installez un pêne dormant ou un verrou à ressort, procédez comme suit :
 - a. Assurez-vous que le clavier est en position verticale (non tourné sur le côté).
 - b. Depuis l'intérieur de la porte du coffre-fort, insérez la tige par le trou central dans l'ouverture carrée du châssis. Orientez la tige de manière à ce que la rainure pointe vers le haut si vous avez utilisé les trous de vis verticaux ou vers la droite si vous avez utilisé les trous de vis horizontaux. Placez la tige de manière à ce que le câble de verrouillage passe à l'intérieur ou le long de la rainure.
 - c. Mesurez 0,354 pouce (9,0 mm) au-delà du bord de la porte du coffre-fort et marquez la tige à l'aide d'un stylo ou d'un marqueur.
 - d. Retirez la tige de la porte du coffre-fort, puis coupez-la à la longueur appropriée, comme indiqué à l'étape c.
 - e. Placez la tige coupée dans le clavier, puis acheminez le câble, comme décrit à l'étape b.

Connecter une serrure sécurisée à un clavier

Une fois le clavier et la (les) serrure(s) sécurisée(s) installés sur le coffre-fort, ils peuvent être connectés pour former un système. Pour connecter une serrure sécurisée à un clavier, procédez comme suit :

1. Pour les systèmes à serrure unique, procédez comme suit :
 - a. Connectez le câble du clavier au port ENT. Une fois la serrure connectée, mettez le système sous tension. Si vous utilisez un boîtier de piles, un boîtier d'alarme ou un adaptateur d'alimentation CA, branchez le câble de l'un de ces accessoires dans le port BAT de la serrure sécurisée (comme indiqué sur le schéma ci-dessous).



- b. Suivez les instructions à l'écran pour les claviers avec écran ou consultez le Guide d'utilisation du système (document n° 7040.1121) pour les claviers sans écran afin de procéder aux paramétrages et à l'initialisation de la serrure.
2. Pour les systèmes à plusieurs serrures, procédez comme suit :
 - a. Connectez le câble du clavier au port situé sur le côté du multiplexeur.
 - b. Connectez la première serrure sécurisée (appelée serrure n°1 dans le système) du port ENT à l'entrée n°1 du multiplexeur.
 - c. À partir de la serrure n° 1, connectez le port BAT à une source d'alimentation (soit l'adaptateur CA dans une prise murale, soit le port BAT d'un boîtier de piles).

- d. Répétez l'étape b pour chaque serrure sécurisée
- e. Les claviers avec écran afficheront des invites pour continuer, tandis que les claviers sans écran nécessiteront la saisie de commandes à l'aide de la touche dièse (#). Pour en savoir plus, consultez le Guide d'utilisation du système (document n° 7041.0320).

Accès aux piles et installation

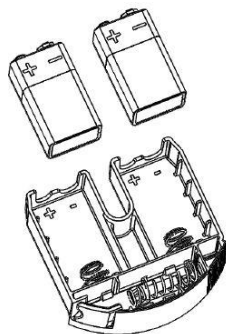
Le système peut être alimenté de plusieurs manières : Adaptateur CA (voir document n° 7037.0320), boîtier de piles (voir document n° 7035.0320), et/ou alimentation par piles à partir du clavier.

Seul le clavier à profil standard possède une batterie pour l'alimentation principale, tandis que la version à profil bas utilise une batterie de secours en cas d'urgence.

Clavier à profil standard (anti-vandalisme)

Pour les claviers à profil standard (anti-vandalisme), procédez comme suit pour accéder aux piles et les installer :

1. Appuyez sur le bouton à ressort situé au bas du bloc-piles du clavier. Le mécanisme à ressort éjecte partiellement le bloc-piles du boîtier.
2. Une fois le bloc-piles partiellement retiré, saisissez l'extrémité du bloc-piles et retirez-le du clavier.



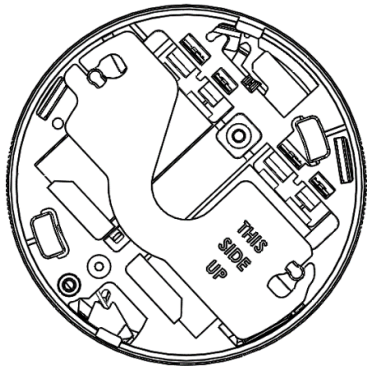
3. Les piles peuvent alors être ajoutées/retirées/remplacées. Lors de l'installation des piles de 9 V, utilisez les repères du bac à piles pour vous assurer de respecter le sens +/- de chaque pile.
4. Une fois les piles installées dans le bac, faites glisser ce dernier dans le boîtier. Si cette opération est bien effectuée, vous devez entendre un petit « clic » qui indique que le bac est correctement fixé.

Clavier à profil standard facile à entretenir

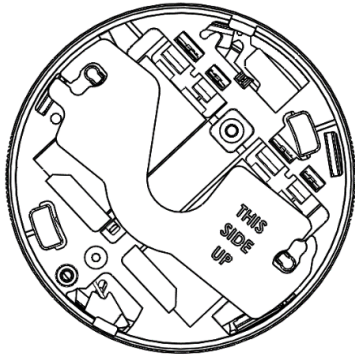
Pour les claviers à profil standard, procédez comme suit pour accéder aux piles et les installer :

1. Tout d'abord, appuyez sur le bouton situé sous le clavier. Tout en maintenant ce bouton enfoncé, faites pivoter le clavier dans le sens inverse des aiguilles d'une montre jusqu'à ce qu'il se détache du châssis. Retournez le clavier de manière à ce que la face arrière soit visible.

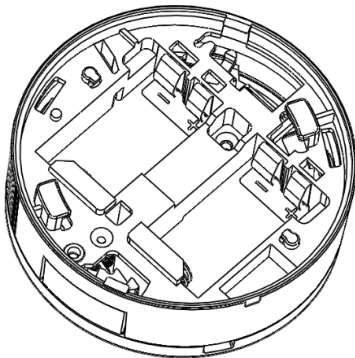
La face arrière du clavier, avec le couvercle des piles en place, se présente comme suit :



2. Faites pivoter le couvercle des piles dans le sens inverse des aiguilles d'une montre pour le détacher du boîtier, comme illustré ci-dessous :



3. Retirez le couvercle du compartiment et installez les piles. Utilisez les étiquettes du bac à piles pour vous assurer de respecter le sens +/- de chaque pile.



4. Le couvercle des piles peut être remis en place de la même manière qu'il a été retiré : en alignant les montants (avec l'étiquette « ce côté vers le haut » orientée comme sur l'image) et en faisant pivoter le couvercle de manière à ce que les montants s'enclenchent dans le couvercle des piles.
5. Remplacez le boîtier sur le clavier en alignant la fente sur le triangle du clavier et en le faisant pivoter dans le sens des aiguilles d'une montre jusqu'à ce que le boîtier soit stable.

Clavier à profil bas

Pour les claviers à profil bas, procédez comme suit pour accéder à la batterie de secours et l'installer :

1. Si une alimentation de secours est nécessaire, relevez le panneau de la batterie sur le boîtier inférieur pour accéder à une sangle de batterie.
2. Connectez la pile de 9 V à la sangle et utilisez cette alimentation pour accéder au coffre-fort. Une fois la porte du coffre-fort ouverte, déconnectez la pile de 9 V et repliez la sangle dans le clavier à profil bas.

Spécifications

Piles

Clavier à profil standard : 2 piles alcalines 9 V CC (de préférence Eveready™ ou Duracell™)

Clavier à profil bas : 1 pile alcaline 9 V CC (de préférence Eveready™ ou Duracell™, pour l'accès d'urgence)

Relais

Entrée max. de 12 V CC à 20 mA

Conditions de fonctionnement

Plage de température de fonctionnement et de stockage : Pour la conformité UL, ce produit a été testé pour un fonctionnement entre 32 et 122 °F (0 et 50 °C).

Plage d'humidité relative : 0 à 95 %, sans condensation

Modèles de serrures sécurisées

Modèles de clavier 701, 702, 702D, 703, 703B, 704, 704B et 705 (claviers à unités de saisie) à utiliser avec les modèles de serrures de haute sécurité 731 (pêne dormant), 732 (verrou à ressort), 733 (pêne pivotant) et 734 (serrure redondante).

Modèles de claviers 7BAS à utiliser avec les modèles de serrures de haute sécurité 7B1 (pêne dormant) et 7B3 (pêne pivotant).



Teclado numérico

Guía de instalación

Índice

INTRODUCCIÓN	2
MONTAJE DE UN TECLADO NUMÉRICO A PRUEBA DE MANIPULACIONES (PERFILES ESTÁNDAR Y BAJO)	3
MONTAJE DE UN TECLADO NUMÉRICO DE PERFIL ESTÁNDAR REPARABLE	4
MONTAJE DE UN TECLADO NUMÉRICO DE PERFIL BAJO REPARABLE	6
CONEXIÓN DE UNA CERRADURA DE CAJA FUERTE A UN TECLADO NUMÉRICO	7
ACCESO A LAS PILAS Y COLOCACIÓN	8
TECLADO NUMÉRICO DE PERFIL ESTÁNDAR (A PRUEBA DE MANIPULACIONES)	8
TECLADO NUMÉRICO DE PERFIL ESTÁNDAR REPARABLE	9
TECLADO NUMÉRICO DE PERFIL BAJO	10
DATOS TÉCNICOS	10

Introducción

Los teclados numéricos de la Serie LA GARD 700 están disponibles en las siguientes versiones:

- Perfil estándar (a prueba de manipulaciones)
- Perfil bajo (a prueba de manipulaciones)
- Perfil estándar (reparable)
- Perfil bajo (reparable).

Monte el teclado numérico y conéctelo a una cerradura de la Serie 700 compatible antes de colocar las pilas o instalar la alimentación de CA.

- Los teclados numéricos de perfil estándar a prueba de manipulaciones funcionan con 2 pilas de 9 V a las que se accede a través de la bandeja de pilas extraíble.
- Los teclados numéricos de perfil estándar reparables funcionan con 2 pilas de 9 V a las que se accede retirando la parte frontal del propio teclado numérico.
- Los teclados numéricos de perfil bajo se deben instalar con un compartimento de pilas o un adaptador de alimentación de CA secundarios.

Montaje de un teclado numérico a prueba de manipulaciones (perfiles estándar y bajo)

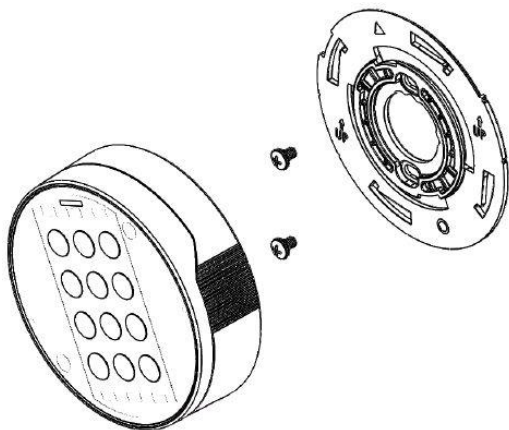
Antes de conectar una cerradura de caja fuerte a un teclado numérico, el teclado numérico debe montarse primero en el exterior de la puerta de la caja fuerte. Siga estos pasos para montar correctamente un teclado numérico en la puerta de la caja fuerte:

1. Taladre y rosque los orificios en el exterior de la pared de la caja fuerte utilizando la plantilla de taladrado y roscado facilitada. Desbarbe el orificio central con una lima o una herramienta giratoria.
Nota: Algunos fabricantes de cajas fuertes pueden incluir estos orificios a nivel de fabricante de equipo original.
2. Fije la placa base del teclado numérico en la puerta de la caja fuerte utilizando los tornillos de cabeza Philips suministrados. Los tornillos suministrados se presentan en dos versiones: Metric M4-07 o de #8-32 según la unidad tradicional de Estados Unidos.
3. Si monta un cerrojo o un resorte, haga lo siguiente:



No utilice el dispositivo antirrotación durante este proceso, ya que dejará la caja fuerte bloqueada de forma permanente.

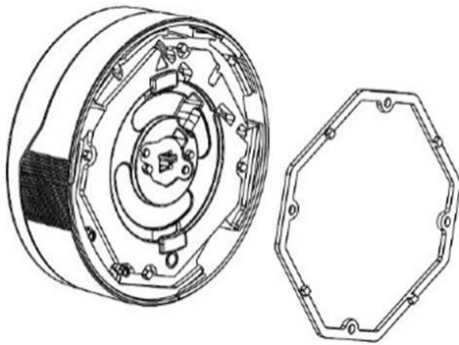
- a. Pase el cable de la cerradura de la caja fuerte por el soporte de cables y coloque el soporte de cables sobre los postes correspondientes del cuerpo del teclado numérico.
- b. Presione el husillo hasta el fondo de la carcasa de plástico.
- c. Coloque el teclado numérico en la puerta. Haga girar el teclado numérico 25 grados hacia la derecha para que quede alineado verticalmente. Mida 9 mm (0,354 pulgadas) desde el borde de la puerta de la caja fuerte y marque el husillo con un bolígrafo o un rotulador.
- d. Retire el teclado numérico de la puerta de la caja fuerte y extraiga el husillo del teclado numérico.
- e. Corte el husillo hasta la longitud adecuada, tal y como se ha indicado en el paso c.
- f. Coloque el husillo recién cortado en el teclado numérico, introduciéndolo de nuevo a través del soporte de cables y de husillo.
- g. Pase el cable de la cerradura de la caja fuerte por la abertura de la puerta de la caja fuerte.
- h. Coloque el teclado numérico sobre la abertura de las ranuras de la placa base y hágalo girar 25 grados hasta que quede en posición vertical.



4. Si monta un perno articulado, haga lo siguiente:
 - a. Coloque el dispositivo antirrotación en los puntos de cuatro orificios de la carcasa. Presiónelo ligeramente hacia abajo para que el dispositivo antirrotación se hunda en el interior del canal de la carcasa.

Nota: Asegúrese de que el dispositivo antirrotación está orientado correctamente; de lo contrario, no se acoplará correctamente con la placa base una vez esté instalado.

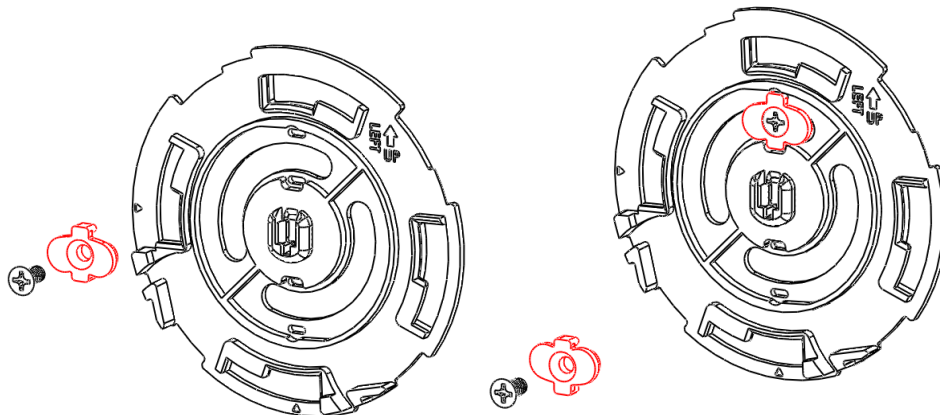
- b. Pase el cable a través de la abertura del soporte de cables y coloque el soporte de cables sobre los postes correspondientes en el cuerpo del teclado numérico.
- c. Pase el cable de la cerradura de la caja fuerte por la abertura de la puerta de la caja fuerte.
- d. Coloque el teclado numérico sobre la abertura del canal de la placa base y hágalo girar 25 grados hasta que quede en posición vertical. Al enrollar el dispositivo antirrotación, se produce cierta resistencia.
- e. El dispositivo antirrotación encajará en su sitio, bloqueando de forma permanente el teclado numérico en posición vertical. No se podrá retirar el teclado numérico de la puerta de la caja fuerte sin dañarlo.
- f. Instale el perno articulado.



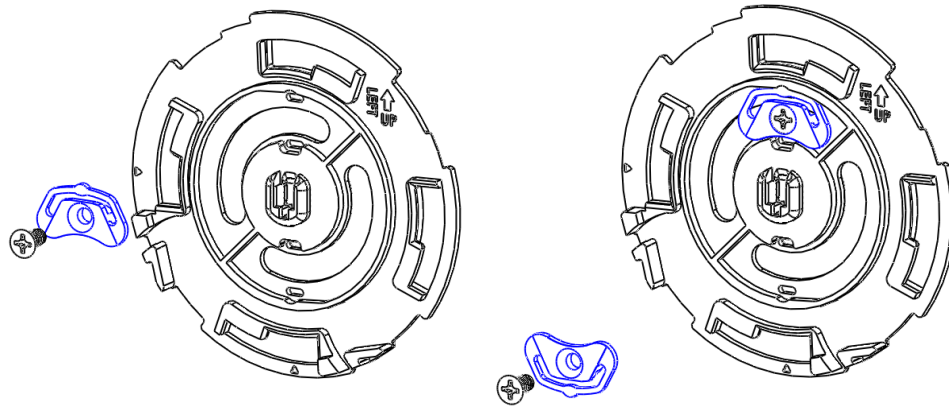
Montaje de un teclado numérico de perfil estándar reparable

Siga estos pasos para montar correctamente un teclado numérico de perfil estándar reparable en la puerta de una caja fuerte:

1. Taladre y rosque los orificios en el exterior de la pared de la caja fuerte utilizando la plantilla de taladrado y roscado facilitada. Desbarbe el orificio central con una lima o una herramienta giratoria.
Nota: Algunos fabricantes de cajas fuertes pueden incluir estos orificios a nivel de fabricante de equipo original.
2. Monte la placa base utilizando los retenedores adecuados para el tipo de cerradura elegido. Antes de montarla, alinee la placa base en la posición correcta utilizando la flecha de referencia que apunta hacia arriba.
Nota: Si utiliza orificios horizontales, la flecha de referencia debería apuntar hacia la izquierda.

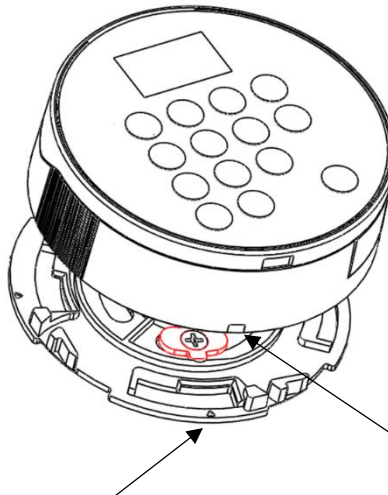


- a. Para la instalación del perno articulado, utilice el tipo de retenedor que aparece arriba en rojo.



- b. Para la instalación del pestillo y del perno articulado, utilice el tipo de retenedor que aparece arriba en azul.

3. Introduzca el cable de la cerradura a través del orificio de la placa base de modo que salga por el otro lado de la puerta de la caja fuerte.
4. Alinee la hendidura de la parte inferior del cuerpo del teclado numérico con la marca triangular de la placa base (consulte las flechas en el siguiente diagrama). Cuando estén alineadas, colóquelo presionado el teclado numérico hacia arriba contra la placa base y haciéndolo girar hacia la derecha hasta que el teclado numérico quede enclavado en su sitio.

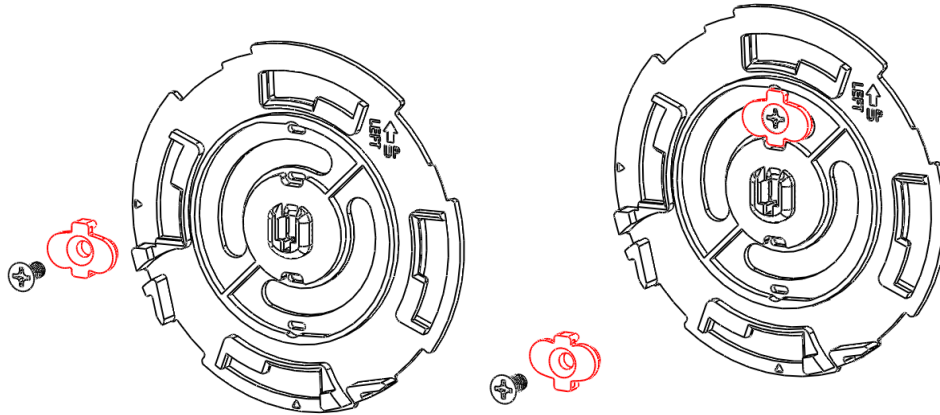


5. Si instala un cerrojo o un resorte, haga lo siguiente:
 - a. Asegúrese de que el teclado numérico está en posición vertical (no está girado hacia un lado).
 - b. Desde el interior de la puerta de la caja fuerte, introduzca el husillo a través del orificio central hacia el interior de la abertura cuadrada de la placa base. Oriente el husillo de modo que la ranura del husillo quede hacia arriba si utilizó los orificios para tornillos verticales o hacia la derecha si utilizó el patrón de orificios para tornillos horizontales. Coloque el husillo de forma que el cable de la cerradura pase por el interior o a lo largo de la ranura.
 - c. Mida 9 mm (0,354 pulgadas) desde el borde de la puerta de la caja fuerte y marque el husillo con un bolígrafo o un rotulador.
 - d. Extraiga el husillo de la puerta de la caja fuerte y corte el husillo con la longitud adecuada, tal y como se ha indicado en el paso c.
 - e. Coloque el husillo recién cortado en el teclado numérico y haga pasar el cable de la misma forma que se ha descrito en el paso b.

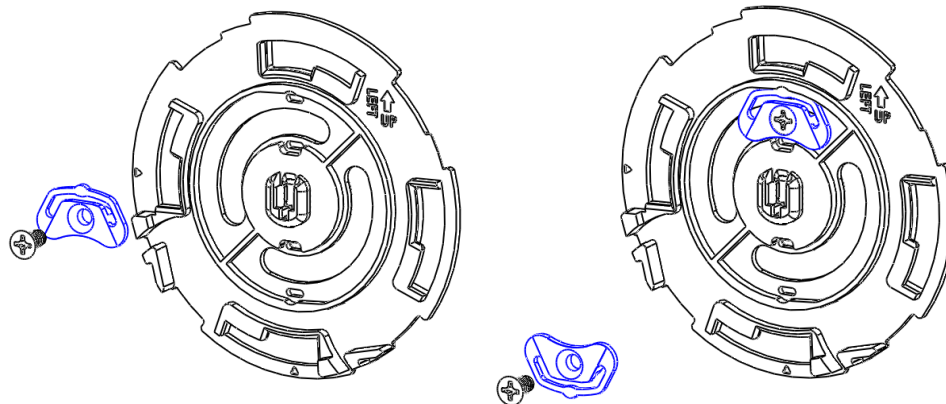
Montaje de un teclado numérico de perfil bajo reparable

Siga estos pasos para montar correctamente un teclado numérico de perfil bajo en la puerta de la caja fuerte:

1. Taladre y rosque los orificios en el exterior de la pared de la caja fuerte utilizando la plantilla de taladrado y roscado facilitada. Desbarbe el orificio central con una lima o una herramienta giratoria.
Nota: Algunos fabricantes de cajas fuertes pueden incluir estos orificios a nivel de fabricante de equipo original.
2. Monte la placa base utilizando los retenedores adecuados para el tipo de cerradura elegido. Antes de montarla, alinee la placa base en la posición correcta utilizando la flecha de referencia que apunta hacia arriba.
Nota: Si utiliza orificios horizontales, la flecha de referencia debería apuntar hacia la izquierda.

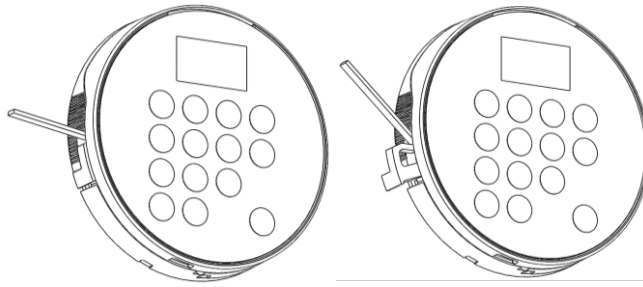


- c. Para la instalación del perno articulado, utilice el tipo de retenedor que aparece arriba en rojo.

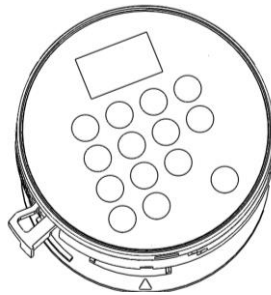


- d. Para la instalación del pestillo y del perno articulado, utilice el tipo de retenedor que aparece arriba en azul.

3. Monte la placa base utilizando los retenedores adecuados para el tipo de cerradura elegido.
Nota: Este proceso es muy parecido al método descrito para los teclados numéricos de perfil estándar reparables, aunque las placas base sean diferentes.
4. Libere el pestillo de retención con un destornillador pequeño de punta plana o una cuña de plástico y tire parcialmente hacia fuera.



5. Introduzca el cable del teclado numérico a través del orificio de la placa base de modo que salga por el otro lado de la puerta de la caja fuerte.
6. Alinee la hendidura de la parte inferior del cuerpo del teclado numérico con la marca triangular de la placa base.

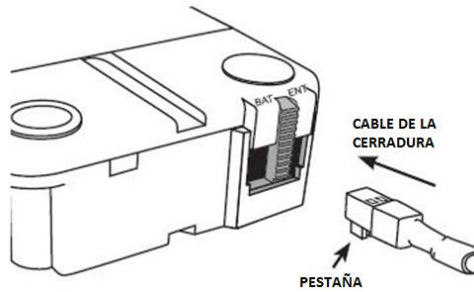


7. Cuando estén alineadas, colóquelo presionado el teclado numérico hacia arriba contra la placa base y haciéndolo girar hacia la derecha hasta que el teclado numérico quede enclavado en su sitio. En este punto, debería estar alineado verticalmente.
8. Empuje el pestillo de retención de nuevo hacia el interior del puerto de la carcasa para sujetar el teclado numérico en su sitio y evitar que se gire y se caiga de la puerta de la caja fuerte.
9. Si instala un cerrojo o un resorte, haga lo siguiente:
 - a. Asegúrese de que el teclado numérico está en posición vertical (no está girado hacia un lado).
 - b. Desde el interior de la puerta de la caja fuerte, introduzca el husillo a través del orificio central hacia el interior de la abertura cuadrada de la placa base. Oriente el husillo de modo que la ranura del husillo quede hacia arriba si utilizó los orificios para tornillos verticales o hacia la derecha si utilizó el patrón de orificios para tornillos horizontales. Coloque el husillo de forma que el cable de la cerradura pase por el interior o a lo largo de la ranura.
 - c. Mida 9 mm (0,354 pulgadas) desde el borde de la puerta de la caja fuerte y marque el husillo con un bolígrafo o un rotulador.
 - d. Extraiga el husillo de la puerta de la caja fuerte y corte el husillo con la longitud adecuada, tal y como se ha indicado en el paso c.
 - e. Coloque el husillo recién cortado en el teclado numérico y haga pasar el cable de la misma forma que se ha descrito en el paso b.

Conexión de una cerradura de caja fuerte a un teclado numérico

Cuando el teclado numérico y la(s) cerradura(s) estén instalados de forma física en la caja fuerte, se pueden conectar para formar un sistema. Siga estos pasos para conectar una cerradura de caja fuerte a un teclado numérico:

1. Para sistemas de cerradura única, haga lo siguiente:
 - a. Conecte el cable del teclado numérico al puerto ENT. Con la cerradura conectada, suministre alimentación al sistema. Si se usa un compartimento de pilas, una caja de alarma o un adaptador de alimentación de CA, enchufe el cable de cualquiera de esos accesorios en el puerto BAT de la cerradura de la caja fuerte (como se muestra en el siguiente diagrama).



- b. Para introducir los ajustes de cerradura y ponerla en marcha, siga los mensajes que aparecen en la pantalla en los teclados numéricos con pantalla o consulte la Guía del sistema para el usuario (documento n.º 7040.1121) para teclados numéricos sin pantalla.
2. Para sistemas multicerradura, haga lo siguiente:
 - a. Conecte el cable del teclado numérico al puerto situado en el lateral del multiplexor.
 - b. Conecte la primera cerradura de caja fuerte (identificada como cerradura número 1 en el sistema) desde el puerto ENT a la entrada número 1 del multiplexor.
 - c. Desde la cerradura número 1, realice la conexión desde el puerto BAT a una fuente de alimentación (ya sea el adaptador de CA de un receptáculo de pared o el puerto BAT de un compartimento de pilas).
 - d. Repita el paso b para cada cerradura de caja fuerte.
 - e. Los teclados numéricos con pantalla mostrarán mensajes en pantalla para continuar, mientras que los teclados numéricos sin pantalla requieren comandos de almohadilla (#). Consulte la Guía del sistema para el usuario (documento n.º 7041.0320) para obtener más información.

Acceso a las pilas y colocación

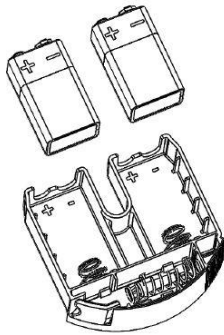
Se puede suministrar alimentación al sistema de diferentes formas: Adaptador de CA (consulte el documento n.º 7037.0320), compartimento de pilas (consulte el documento n.º 7035.0320) o alimentación por pilas del teclado numérico.

El teclado numérico de perfil estándar es el único que tiene un bloque de pilas como suministro principal, mientras que la versión de perfil bajo utiliza pilas de reserva en caso de emergencia.

Teclado numérico de perfil estándar (a prueba de manipulaciones)

Para teclados numéricos de perfil estándar (a prueba de manipulaciones), siga los siguientes pasos para poder acceder a las pilas y colocarlas:

1. Presione hacia abajo el botón con resorte ubicado en la parte inferior del bloque de pilas del teclado numérico. El mecanismo del resorte expulsará de forma parcial el paquete de pilas fuera de la carcasa.
2. Con el compartimento de pilas parcialmente extraído, agarre la punta del paquete de pilas y retírelo del teclado numérico.



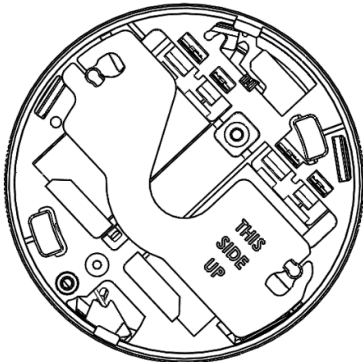
3. En este punto, puede poner, quitar o sustituir las pilas. Al colocar las pilas de 9 V, utilice las marcas de la bandeja de pilas para asegurarse de una orientación +/- correcta para cada pila.
4. Cuando haya terminado de colocar las pilas en la bandeja de pilas, deslice la bandeja de nuevo hacia el interior de la carcasa. Cuando se haga esto correctamente, oirá un pequeño «clic» que garantiza que la bandeja se ha colocado correctamente.

Teclado numérico de perfil estándar reparable

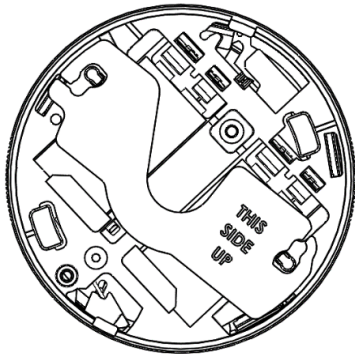
Para teclados numéricos de perfil estándar, siga los siguientes pasos para poder acceder a las pilas y colocarlas:

1. En primer lugar, pulse el botón en la parte inferior del cuerpo del teclado numérico. Mientras mantiene presionado este botón, haga girar el teclado numérico hacia la izquierda hasta que quede liberado de la placa base. Voltee el teclado numérico de modo que quede visible la parte trasera del cuerpo del teclado numérico.

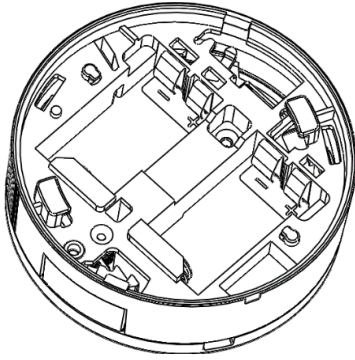
La parte trasera del teclado numérico, con la tapa de las pilas en su sitio, se ve de la siguiente forma:



2. Enrosque la tapa de las pilas hacia la izquierda para separarla de la cubierta, tal y como se muestra a continuación:



3. Extraiga la tapa y coloque las pilas. Utilice las etiquetas de la bandeja de pilas para asegurarse de una orientación +/- correcta para cada pila.



4. La tapa de las pilas se puede volver a poner de la misma forma que se retiró, alineando los postes (con la etiqueta «este lado hacia arriba» orientada como en la imagen) y enroscando la tapa de modo que los postes se acoplen con la tapa de las pilas.
5. Vuelva a colocar el cuerpo del teclado numérico alineando la hendidura con el triángulo del teclado y haciéndolo girar hacia la derecha hasta que el cuerpo del teclado numérico deje de moverse.

Teclado numérico de perfil bajo

Para teclados numéricos de perfil bajo, siga los siguientes pasos para poder acceder a las pilas de reserva y colocarlas:

1. Si se necesita alimentación de reserva (de emergencia), levante el panel de la batería de la carcasa inferior, que liberará una correa para la pila.
2. Conecte la pila de 9 V a la correa y utilice esa alimentación para abrir la caja fuerte. Cuando se haya abierto la caja fuerte, desconecte la pila de 9 V, vuelva a doblar la correa e introdúzcala dentro del teclado de perfil bajo.

Datos técnicos

Pilas

Teclado numérico de perfil estándar: 2 pilas alcalinas de 9 V de CC (preferiblemente Eveready™ o Duracell™)

Teclado numérico de perfil bajo: 1 pila alcalina de 9 V de CC (preferiblemente Eveready™ o Duracell™, para acceso de emergencia)

Relé

12 V de CC a 20 mA de entrada máxima

Medioambiente

Rangos de temperatura de funcionamiento y almacenamiento: Para el cumplimiento con UL, este producto se ha verificado de modo que funcione entre 0-50 °C (32 y 122 °F).

Rango de humedad relativa: Entre un 0 y un 95 % sin condensación

Modelos de cerraduras de caja fuerte

Modelos de teclados numéricos 701, 702, 702D, 703, 703B, 704, 704B y 705 (Teclados numéricos de entrada) para su uso con los modelos de cerradura de alta seguridad 731 (pestillo), 732 (resorte), 733 (perno articulado) y 734 (cerradura redundante).

Modelos de teclados numéricos 7BAS para su uso con modelos de cerradura de alta seguridad 7B1 (pestillo) y 7B3 (perno articulado).



Tastatur

Montageanleitung

Inhalt

EINLEITUNG	2
MONTAGE EINER MANIPULATIONSSICHEREN TASTATUR (STANDARD- UND FLACHE AUSFÜHRUNG)	3
EINE WARTUNGSFÄHIGE TASTATUR IN STANDARD AUSFÜHRUNG MONTIEREN	4
EINE WARTUNGSFÄHIGE TASTATUR IN FLACHER AUSFÜHRUNG MONTIEREN	6
EIN TRESORSCHLOSS AN EINER TASTATUR ANSCHLIEßEN	7
BATTERIEWECHSEL	8
TASTATUR IN STANDARD AUSFÜHRUNG (MANIPULATIONSSICHER).....	8
WARTUNGSFÄHIGE TASTATUR IN STANDARD AUSFÜHRUNG	9
TASTATUR IN FLACHER AUSFÜHRUNG	10
TECHNISCHE DATEN	10

Einleitung

Die Tastaturen der La Gard 700er-Serie sind in den folgenden Ausführungen verfügbar:

- Standardausführung (manipulationssicher)
- Flache Ausführung (manipulationssicher)
- Standardausführung (wartungsfähig)
- Flache Ausführung (wartungsfähig)

Montieren Sie die Tastatur und schließen Sie sie an ein kompatibles Schloss der 700er-Serie an, bevor Sie die Batterie einsetzen oder das Netzteil anschließen.

- Manipulationssichere Tastaturen in Standardausführung werden mit zwei 9-Volt-Batterien in einem herausnehmbaren Batteriefach betrieben.
- Wartungsfähige Tastaturen in Standardausführung werden mit zwei 9-Volt-Batterien betrieben, die nach dem Abbau der Vorderseite der Tastatur selbst zugänglich sind.
- Tastaturen in flacher Ausführung müssen mit einer sekundären Batteriebox oder einem AC-Netzteil installiert werden.

Montage einer manipulationssicheren Tastatur (Standard- und flache Ausführung)

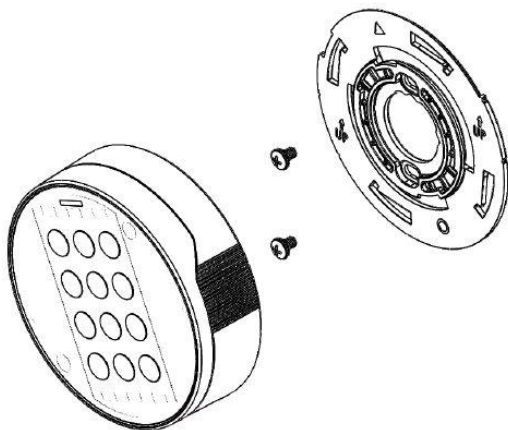
Bevor ein Tresorschloss an eine Tastatur angeschlossen wird, muss die Tastatur zuerst außen an der Tresortür montiert werden. Führen Sie die folgenden Schritte aus, um eine Tastatur an der Tresortür zu montieren:

1. Verwenden Sie die mitgelieferte Bohr- und Gewindeschneideschablone, um an der Außenseite der Tresorwand die Löcher aufzubohren und mit Gewinde zu versehen. Entgraten Sie mit einer Feile oder einer geeigneten Fräse das mittlere Loch.
Hinweis: Bei einigen OEM-Tresorherstellern gehören diese Löcher bereits zum Lieferumfang.
2. Bringen Sie mit den mitgelieferten Kreuzschlitz-Senkschrauben die Tastaturgrundplatte an der Tresortür an. Im Lieferumfang sind Schrauben in zwei Varianten enthalten: metrisch M4-07 oder US-amerikanische Maßeinheit (US Customary Unit) Nr. 8-32.
3. Bei der Montage eines Sperrriegels oder Federriegels gehen Sie wie folgt vor:



Bei diesem Prozess darf die Verdrehsicherung nicht verwendet werden, da dies dazu führt, dass der Tresor dauerhaft verschlossen ist.

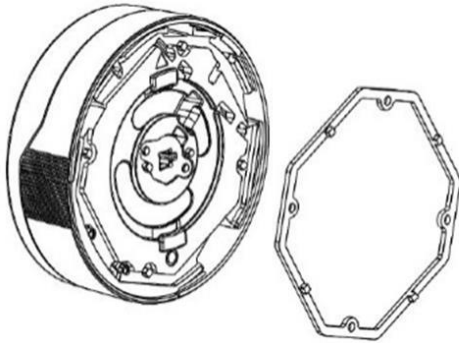
- a. Führen Sie das Tresorschlosskabel durch den Kabelhalter und platzieren Sie den Kabelhalter über den entsprechenden Haltestiften des Tastaturkörpers.
- b. Drücken Sie die Spindel vollständig durch den Boden des Kunststoffgehäuses.
- c. Bringen Sie die Tastatur an der Tür an. Drehen Sie die Tastatur um 25 Grad im Uhrzeigersinn, bis sie vertikal ausgerichtet ist. Messen Sie 9,0 mm von der Kante der Tresortür ab und markieren Sie die Spindel mit einem Stift oder Marker.
- d. Nehmen Sie die Tastatur von der Tresortür ab und nehmen Sie die Spindel aus der Tastatur.
- e. Schneiden Sie die Spindel auf die in Schritt c ermittelte Länge zu.
- f. Setzen Sie die zugeschnittene Spindel in die Tastatur ein. Sie muss wieder durch den Kabel- und Spindelhalter geführt werden.
- g. Führen Sie das Tresorschlosskabel durch die Öffnung in der Tresortür.
- h. Bringen Sie die Tastatur über der Öffnung in den Einkerbungen der Grundplatte an und drehen Sie sie um 25 Grad in die vertikale Position.



4. Bei der Montage eines Schwenkriegels gehen Sie wie folgt vor:
 - a. Setzen Sie die Verdrehsicherung an den Stellen der vier Löcher im Gehäuse ein. Drücken Sie die Verdrehsicherung vorsichtig in den Kanal im Gehäuse.

Hinweis: Achten Sie auf die richtige Ausrichtung der Verdrehsicherung, da sie andernfalls nach der Montage nicht in die Grundplatte eingreifen kann.

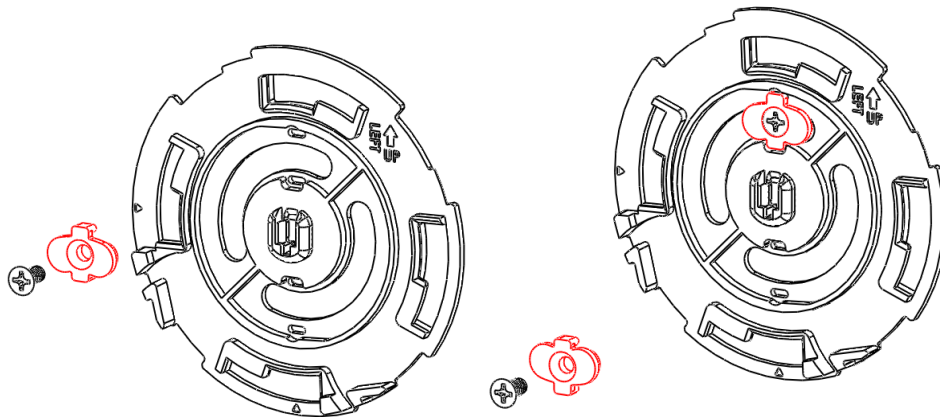
- b. Führen Sie das Kabel durch die Öffnung im Kabelhalter und platzieren Sie den Kabelhalter über den entsprechenden Haltestiften im Tastaturkörper.
- c. Führen Sie das Tresorschlosskabel durch die Öffnung in der Tresortür.
- d. Bringen Sie die Tastatur über der Öffnung im Kanal der Grundplatte an und drehen Sie sie um 25 Grad in die vertikale Position. Beim Aufziehen der Verdrehsicherung müsste ein gewisser Widerstand zu spüren sein.
- e. Die Verdrehsicherung muss dann einrasten und damit die Tastatur fest in einer vertikalen Position verankern. Danach kann die Tastatur nicht mehr von der Tresortür abgenommen werden, ohne beschädigt zu werden.
- f. Montieren Sie den Schwenkriegel.



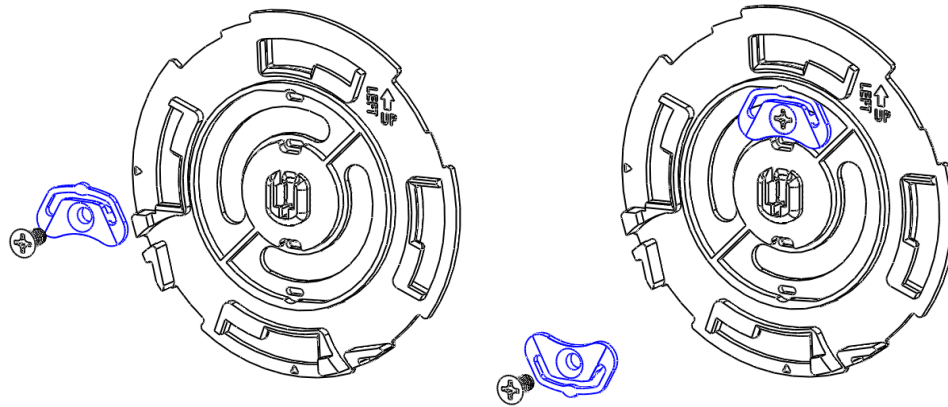
Eine wartungsfähige Tastatur in Standardausführung montieren

Führen Sie die folgenden Schritte aus, um eine wartungsfähige Tastatur in Standardausführung an der Tresortür zu montieren:

1. Verwenden Sie die mitgelieferte Bohr- und Gewindeschneideschablone, um an der Außenseite der Tresorwand die Löcher aufzubohren und mit Gewinde zu versehen. Entgraten Sie mit einer Feile oder einer geeigneten Fräse das mittlere Loch.
Hinweis: Bei einigen OEM-Tresorherstellern gehören diese Löcher bereits zum Lieferumfang.
2. Montieren Sie die Grundplatte mit den Niederhaltebügeln, die für den gewünschten Schlosstyp vorgesehen sind. Vor der Montage müssen Sie die Grundplatte ausrichten. In der richtigen Position zeigt der Referenzpfeil nach oben.
Hinweis: Wenn Sie horizontale Löcher verwenden, muss der Referenzpfeil nach links zeigen.

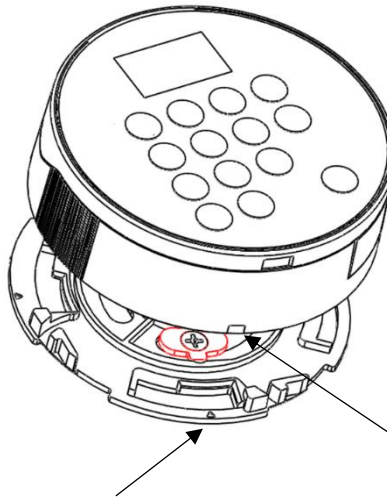


- a. Bei einem Schloss mit Schwenkriegel müssen Sie die Niederhaltebügel, die oben in **Rot** dargestellt sind, verwenden.



b. Bei einem Schloss mit Sperrriegel oder Federriegel müssen Sie die Niederhaltebügel, die oben in **Blau** dargestellt sind, verwenden.

3. Führen Sie das Schlosskabel durch das Loch in der Grundplatte, bis es an der anderen Seite der Tresortür herauskommt.
4. Richten Sie die Aussparung am Boden des Tastaturkörpers mit der dreieckigen Markierung an der Grundplatte aus (siehe die Pfeile in der folgenden Abbildung). Nach der Ausrichtung müssen Sie nur noch die Tastatur nach oben an die Grundplatte drücken und dann im Uhrzeigersinn drehen, bis sie einrastet.

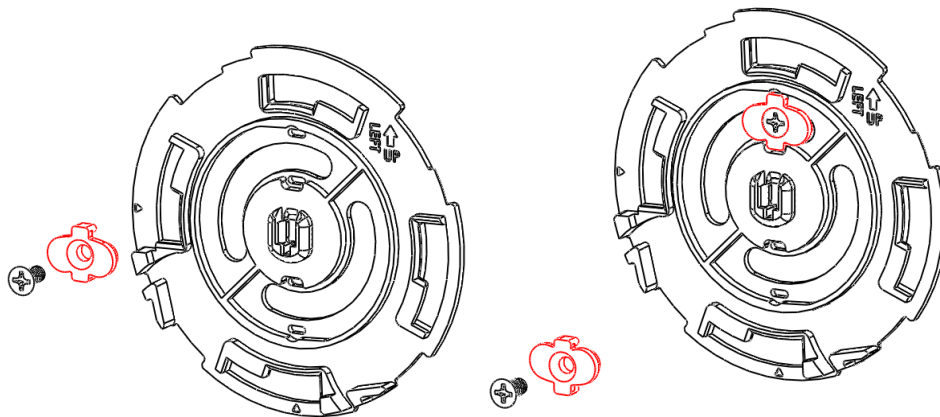


5. Bei der Montage eines Sperrriegels oder Federriegels gehen Sie wie folgt vor:
 - a. Stellen Sie sicher, dass sich die Tastatur in vertikaler Ausrichtung (nicht zur Seite gedreht) befindet.
 - b. Setzen Sie von der Innenseite der Tresortür aus die Spindel durch das Loch in der Mitte in die quadratische Öffnung in der Grundplatte ein. Richten Sie die Spindel so aus, dass die Nut in der Spindel nach oben (bei Verwendung der vertikalen Schraubenlöcher) oder nach rechts (bei Verwendung der horizontalen Anordnung der Schraubenlöcher) weist. Platzieren Sie die Spindel so, dass das Schlosskabel im Inneren oder neben der Nut verläuft.
 - c. Messen Sie 9,0 mm von der Kante der Tresortür ab und markieren Sie die Spindel mit einem Stift oder Marker.
 - d. Nehmen Sie die Spindel aus der Tresortür und schneiden Sie sie auf die in Schritt c ermittelte Länge zu.
 - e. Setzen Sie die zugeschnittene Spindel in die Tastatur ein. Verlegen Sie dann das Kabel so wie in Schritt b beschrieben.

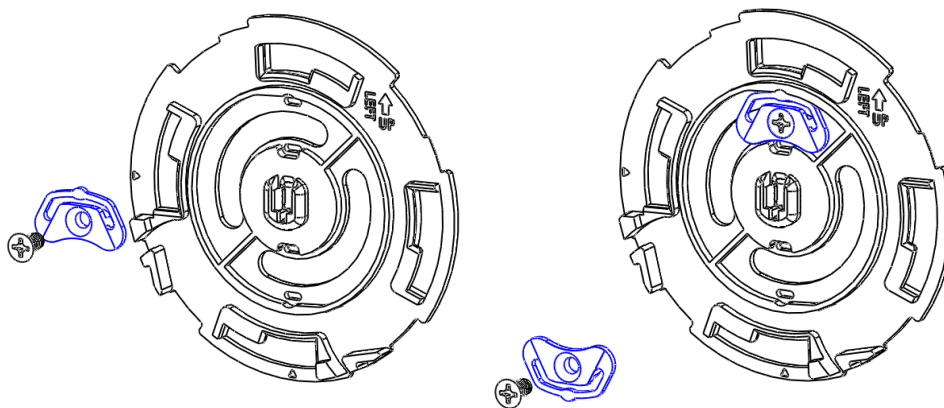
Eine wartungsfähige Tastatur in flacher Ausführung montieren

Führen Sie die folgenden Schritte aus, um eine Tastatur in flacher Ausführung an der Tresortür zu montieren:

1. Verwenden Sie die mitgelieferte Bohr- und Gewindeschneideschablone, um an der Außenseite der Tresorwand die Löcher aufzubohren und mit Gewinde zu versehen. Entgraten Sie mit einer Feile oder einer geeigneten Fräse das mittlere Loch.
Hinweis: Bei einigen OEM-Tresorherstellern gehören diese Löcher bereits zum Lieferumfang.
2. Montieren Sie die Grundplatte mit den Niederhaltebügeln, die für den gewünschten Schlosstyp vorgesehen sind. Vor der Montage müssen Sie die Grundplatte ausrichten. In der richtigen Position zeigt der Referenzpfeil nach oben.
Hinweis: Wenn Sie horizontale Löcher verwenden, muss der Referenzpfeil nach links zeigen.

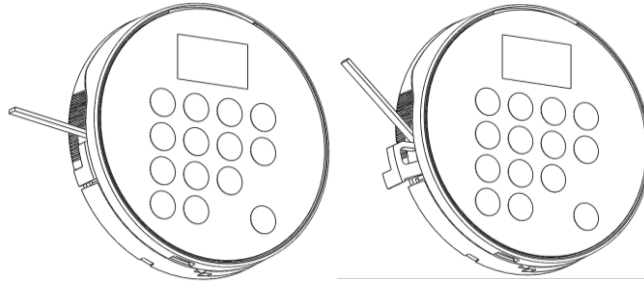


- c. Bei einem Schloss mit Schwenkriegel müssen Sie die Niederhaltebügel, die oben in **Rot** dargestellt sind, verwenden.

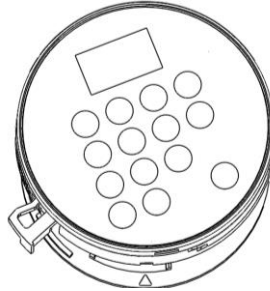


- d. Bei einem Schloss mit Sperrriegel oder Federriegel müssen Sie die Niederhaltebügel, die oben in **Blau** dargestellt sind, verwenden.

3. Montieren Sie die Grundplatte mit den Niederhaltebügeln, die für den gewünschten Schlosstyp vorgesehen sind.
Hinweis: Dieser Prozess ähnelt stark der für die wartungsfähige Tastatur in Standardausführung beschriebenen Methode. Allerdings unterscheiden sich die Grundplatten.
4. Lösen Sie mit einem kleinen Schlitzschraubendreher oder einer Kunststoffscheibe den Sicherungsriegel und ziehen Sie ihn teilweise heraus.



5. Führen Sie das Tastaturkabel durch das Loch in der Grundplatte, bis es an der anderen Seite der Tresortür herauskommt.
6. Richten Sie die Aussparung am Boden des Tastaturkörpers mit der dreieckigen Markierung an der Grundplatte aus.

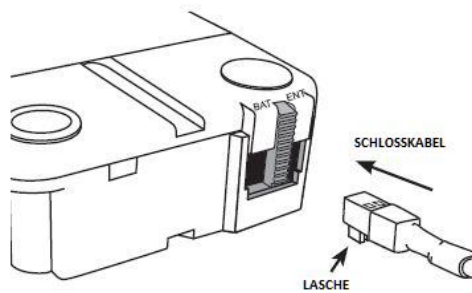


7. Nach der Ausrichtung müssen Sie nur noch die Tastatur nach oben an die Grundplatte drücken und dann im Uhrzeigersinn drehen, bis sie einrastet. In diesem Moment müsste sie vertikal ausgerichtet sein.
8. Drücken Sie den Sicherungsriegel wieder in die Gehäuseöffnung. Dadurch wird die Tastatur verankert und somit verhindert, dass sie gedreht werden oder von der Tresortür abfallen kann.
9. Bei der Montage eines Sperrriegels oder Federriegels gehen Sie wie folgt vor:
 - a. Stellen Sie sicher, dass sich die Tastatur in vertikaler Ausrichtung (nicht zur Seite gedreht) befindet.
 - b. Setzen Sie von der Innenseite der Tresortür aus die Spindel durch das Loch in der Mitte in die quadratische Öffnung in der Grundplatte ein. Richten Sie die Spindel so aus, dass die Nut in der Spindel nach oben (bei Verwendung der vertikalen Schraubenlöcher) oder nach rechts (bei Verwendung der horizontalen Anordnung der Schraubenlöcher) weist. Platzieren Sie die Spindel so, dass das Schlosskabel im Inneren oder neben der Nut verläuft.
 - c. Messen Sie 9,0 mm von der Kante der Tresortür ab und markieren Sie die Spindel mit einem Stift oder Marker.
 - d. Nehmen Sie die Spindel aus der Tresortür und schneiden Sie sie auf die in Schritt c ermittelte Länge zu.
 - e. Setzen Sie die zugeschnittene Spindel in die Tastatur ein. Verlegen Sie dann das Kabel so wie in Schritt b beschrieben.

Ein Tresorschloss an einer Tastatur anschließen

Nachdem die Tastatur und die gewünschten Schlösser am Tresor montiert wurden, können sie zu einem System verbunden werden. Führen Sie die folgenden Schritte aus, um ein Tresorschloss an einer Tastatur anzuschließen:

1. Bei Einzelschlosssystemen gehen Sie wie folgt vor:
 - a. Schließen Sie das Kabel von der Tastatur am ENT-Anschluss an. Schließen Sie das System bei angeschlossenem Schloss an die Stromversorgung an. Wenn eine Batteriebox, eine Alarmbox oder ein AC-Netzteil verwendet wird, dann stecken Sie das Kabel von diesem Zubehörteil in den BAT-Anschluss am Tresorschloss (siehe folgende Abbildung).



- b. Bei einer Tastatur mit Display befolgen Sie die Bildschirmanweisungen. Bei einer Tastatur ohne Display finden Sie im System User Guide (Anleitung für Systembenutzer, Dokument Nr. 7040.1121) die Informationen zur Eingabe der Schlosseinstellungen und zur Initialisierung.
2. Bei Mehrschlosssystemen gehen Sie wie folgt vor:
 - a. Schließen Sie das Tastaturkabel am Anschluss an der Seite des Multiplexers an.
 - b. Verbinden Sie den ENT-Anschluss am ersten Tresorschloss (Schloss 1 im System) mit dem Eingang 1 am Multiplexer.
 - c. Verbinden Sie den BAT-Anschluss an Schloss 1 mit einer Spannungsversorgung (entweder über den AC-Adapter mit einer Netzsteckdose oder mit dem BAT-Anschluss an einer Batteriebox).
 - d. Wiederholen Sie Schritt b für jedes Tresorschloss.
 - e. Bei Tastaturen mit Display wird mit Bildschirmanweisungen gesteuert, wie fortgefahren werden muss. Bei Tastaturen ohne Display sind dazu Rautetasten-Befehle (#) erforderlich. Weitere Informationen finden Sie im System User Guide (Anleitung für Systembenutzer, Dokument Nr. 7041.0320).

Batteriewechsel

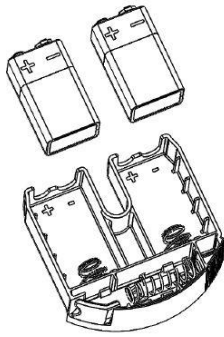
Das System kann aus mehreren Quellen mit Strom versorgt werden: AC-Adapter (siehe Dokument Nr. 7037.0320), Batteriebox (siehe Dokument Nr. 7035.0320) und/oder Batterie der Tastatur.

Nur die Tastatur in Standardausführung besitzt einen Batteriesatz für die primäre Spannungsversorgung. Bei einer Tastatur in flacher Ausführung kommt dagegen eine Batteriereserve für Notfälle zum Einsatz.

Tastatur in Standardausführung (manipulationssicher)

Gehen Sie bei Tastaturen in Standardausführung (manipulationssicher) wie folgt vor, um die Batterien zu entnehmen und einzulegen:

1. Drücken Sie die Federtaste am Boden des Batteriesatzes der Tastatur nach unten. Der Federmechanismus hebt den Batteriesatz etwas aus dem Gehäuse.
2. Nehmen Sie den Batteriesatz am angehobenen Ende aus der Tastatur.



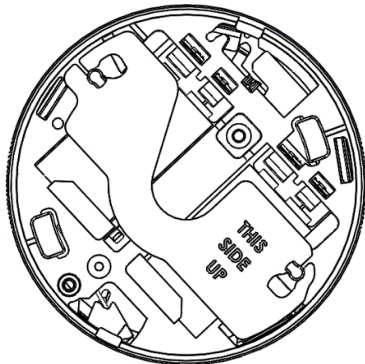
3. Jetzt können die Batterien eingelegt, entnommen oder gegen neue Batterien ausgetauscht werden. Orientieren Sie sich beim Einlegen der 9-V-Batterien an den Markierungen (+/-) im Batteriefach, um die richtige Ausrichtung der Batterien zu gewährleisten.
4. Nachdem Sie die Batterien in das Batteriefach eingelegt haben, schieben Sie das Fach wieder in die Gehäuseeinheit. Wenn Sie einen kurzen Klickton hören, ist das Fach ordnungsgemäß gesichert.

Wartungsfähige Tastatur in Standardausführung

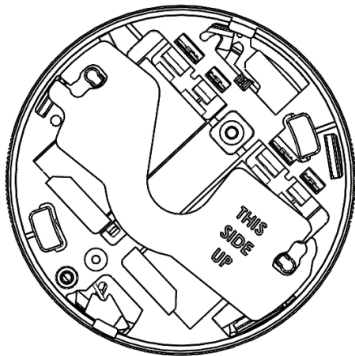
Gehen Sie bei Tastaturen in Standardausführung wie folgt vor, um die Batterien zu entnehmen und einzulegen:

1. Drücken Sie zuerst auf die Taste an der Unterseite des Tastaturkörpers. Halten Sie diese Taste gedrückt und drehen Sie dabei die Tastatur gegen den Uhrzeigersinn, bis sie sich von der Grundplatte gelöst hat. Drehen Sie die Tastatur auf die andere Seite.

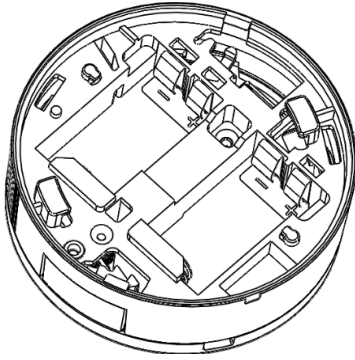
Die Rückseite der Tastatur sieht mit angebrachter Batterieabdeckung wie folgt aus:



2. Verdrehen Sie die Batterieabdeckung gegen den Uhrzeigersinn, um sie vom Gehäuse zu lösen (siehe folgende Abbildung):



3. Nehmen Sie die Batterieabdeckung ab und legen Sie die Batterien ein. Orientieren Sie sich an den Markierungen (+/-) im Batteriefach, um die richtige Ausrichtung der Batterien zu gewährleisten.



4. So, wie die Batterieabdeckung ausgebaut wurde, kann sie auch wieder eingesetzt werden: durch Ausrichten an den Haltestiften (siehe Beschriftung „THIS SIDE UP“ in der Abbildung) und Verdrehen der Abdeckung, bis die Batterieabdeckung an den Haltestiften einrastet.
5. Bringen Sie den Tastaturkörper wieder an der Tastatur an, indem Sie die Aussparung mit dem Dreieck an der Tastatur ausrichten und dann den Tastaturkörper im Uhrzeigersinn bis zum Anschlag drehen.

Tastatur in flacher Ausführung

Gehen Sie bei Tastaturen in flacher Ausführung wie folgt vor, um die Batterien zu entnehmen und einzulegen:

1. Wenn Ersatzstromversorgung (Notstromversorgung) benötigt wird, dann klappen Sie den Batteriedeckel unten am Gehäuse nach oben. Dadurch wird ein Batteriebefestigungsband freigelegt.
2. Schließen Sie die 9-V-Batterie am Befestigungsband an und nutzen Sie diese Energiequelle, um in den Tresor zu gelangen. Nachdem die Tresortür geöffnet wurde, nehmen Sie die 9-V-Batterie vom Befestigungsband ab und bringen Sie das Band wieder in der Tastatur in flacher Ausführung unter.

Technische Daten

Batterien

Tastatur in Standardausführung: 2 x 9-Volt-Alkalibatterien (Eveready™ oder Duracell™ dringend empfohlen)

Tastatur in flacher Ausführung: 1 x 9-Volt-Alkalibatterien (Eveready™ oder Duracell™ dringend empfohlen, für Notfallzugang)

Relais

12 V Gleichspannung bei max. 20 mA Eingangsstrom

Umgebungsdaten

Betriebs- und Lagertemperaturbereich: Zur Bestätigung der UL-Konformität wurde dieses Produkt im Betrieb bei 0 bis 50 °C geprüft.

Relative Luftfeuchtigkeit: 0 bis 95 %, nicht kondensierend

Tresorschloss-Modelle

Tastaturen der Modelle 701, 702, 702D, 703, 703B, 704, 704B und 705 (Tastaturen mit Eingabeeinheiten) für die Verwendung mit Hochsicherheitsschlössern der Modelle 731 (Sperrriegel), 732 (Federriegel), 733 (Schwenkriegel) und 734 (Redundantes Schloss).

Tastaturen der Modelle 7BAS für die Verwendung mit Hochsicherheitsschlössern der Modelle 7B1 (Sperrriegel) und 7B3 (Schwenkriegel).



Teclado

Manual de instalação

Índice

INTRODUÇÃO	2
INSTALAR UM TECLADO INVIOLÁVEL (PERFIL PADRÃO E DISCRETO)	3
INSTALAR UM TECLADO DE PERFIL PADRÃO REPARÁVEL	4
INSTALAR UM TECLADO DE PERFIL DISCRETO REPARÁVEL	6
CONECTAR UMA FECHADURA PARA COFRE A UM TECLADO	7
ACESSO E INSTALAÇÃO DA BATERIA	8
TECLADO DE PERFIL PADRÃO (INVIOLÁVEL)	8
TECLADO DE PERFIL PADRÃO REPARÁVEL	8
TECLADO DE PERFIL DISCRETO	9
ESPECIFICAÇÕES	9

Introdução

Os teclados La Gard 700 Series estão disponíveis nas seguintes variações:

- Perfil padrão (inviolável)
- Perfil discreto (inviolável)
- Perfil padrão (reparável)
- Perfil discreto (reparável)

Monte o teclado e conecte-o a uma fechadura 700 Series antes de instalar a bateria ou a alimentação CA.

- Os teclados de perfil padrão invioláveis são alimentados por duas baterias de 9 V que podem ser acessadas na bandeja removível.
- Os teclados de perfil discreto reparáveis são alimentados por duas baterias de 9 V que podem ser acessadas removendo a parte da frente do teclado.
- Os teclados de perfil discreto devem ser instalados com uma caixa de bateria secundária ou um adaptador de alimentação CA.

Instalar um teclado inviolável (perfil padrão e discreto)

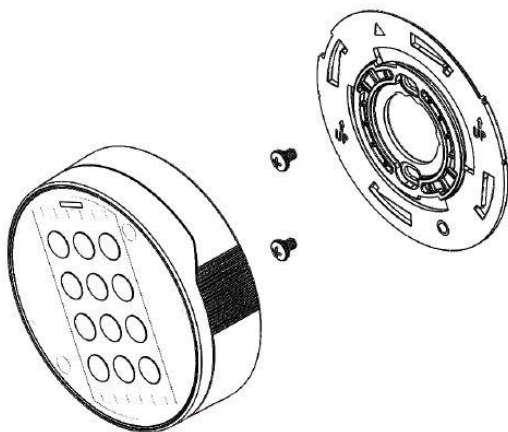
Antes de conectar uma fechadura a um teclado, este deve ser instalado na parte externa da porta do cofre. Siga estes passos para instalar corretamente o teclado na porta do cofre:

1. Fure e abra os orifícios para a parte externa da parede do cofre usando o gabarito fornecido. Elimine as rebarbas dos orifícios usando uma lima ou ferramenta rotativa.
Observação: alguns fabricantes podem incluir esses orifícios em nível de OEM.
2. Fixe a placa de base do teclado na porta do cofre usando os parafusos Phillips incluídos. Os parafusos incluídos são fornecidos em duas variantes: M4-07 (métrico) ou #8-32 (unidade habitual americana).
3. Ao instalar um deadbolt ou springbolt, faça o seguinte:



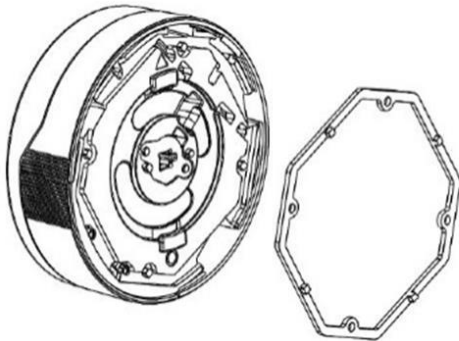
Não use o dispositivo antirrotação durante esse processo, pois isso bloqueará o cofre permanentemente.

- a. Passe o cabo da fechadura pelo suporte e coloque o suporte sobre os encaixes correspondentes no corpo do teclado
- b. Pressione o eixo até o final do compartimento de plástico
- c. Posicione o teclado na porta. Gire o teclado 25º no sentido horário de modo a alinhá-lo verticalmente. Meça 9,0 mm após a extremidade da porta do cofre e marque o eixo com uma caneta ou marcador.
- d. Remova o teclado da porta do cofre e remova o eixo do teclado
- e. Corte o eixo no comprimento apropriado, conforme determinado na Etapa c
- f. Coloque o eixo recém-cortado no teclado, passando-o novamente pelo cabo e suporte
- g. Passe o cabo da fechadura de segurança pela abertura na porta do cofre
- h. Coloque o teclado sobre a abertura nas ranhuras da placa de base e gire 25º até a posição vertical



4. Ao instalar um springbolt, faça o seguinte:
 - a. Coloque o dispositivo antirrotação sobre os quatro orifícios no compartimento. Pressione levemente para que o dispositivo antirrotação se encaixe no canal do compartimento
Observação: certifique-se de que o dispositivo antirrotação esteja orientado corretamente; caso contrário, ele não se encaixará na placa de base quando instalado.
 - b. Passe o cabo pela abertura no suporte e coloque o suporte sobre os encaixes correspondentes no corpo do teclado
 - c. Passe o cabo da fechadura de segurança pela abertura na porta do cofre

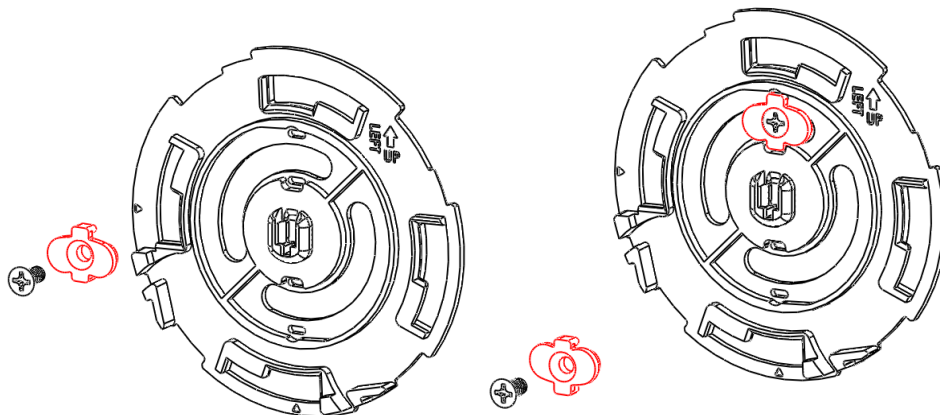
- d. Coloque o teclado sobre a abertura no canal da placa de base e gire 25° até a posição vertical. Ocorrerá alguma resistência ao enrolar o dispositivo antirrotação
- e. O dispositivo antirrotação se encaixará no lugar, bloqueando permanentemente o teclado na posição vertical; o teclado não poderá ser removido da porta do cofre sem ser danificado
- f. Instale o swingbolt



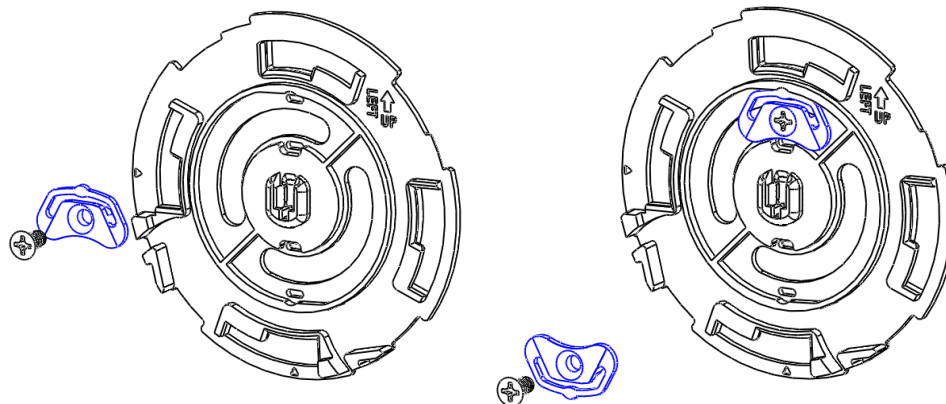
Instalar um teclado de perfil padrão reparável

Siga estes passos para instalar corretamente um teclado de perfil padrão reparável na porta do cofre:

1. Fure e abra os orifícios para a parte externa da parede do cofre usando o gabarito fornecido. Elimine as rebarbas dos orifícios usando uma lima ou ferramenta rotativa.
Observação: alguns fabricantes podem incluir esses orifícios em nível de OEM.
2. Instale a placa de base usando os retentores para o tipo de fechadura desejado. Antes de instalar, alinhe a placa de base na posição correta seguindo a seta de referência que aponta para cima.
Observação: ao usar orifícios horizontais, a seta de referência deve estar apontando para a esquerda.

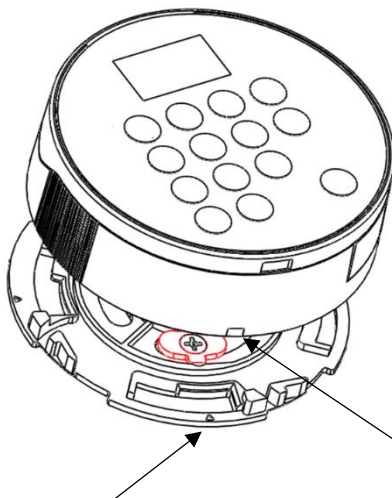


- a. Para aplicação de swingbolt, use o tipo de retentor mostrado acima em **vermelho**.



b. Para a aplicação de deadbolt e springbolt, use o tipo de retentor mostrado acima em azul.

3. Passe o cabo da fechadura pelo orifício na placa de base de modo a sair do outro lado da porta do cofre.
4. Alinhe a ranhura na parte inferior do corpo do teclado com a marca triangular na placa de base (consulte as setas no diagrama abaixo). Depois de alinhar, instale pressionando o teclado contra a placa de base e, em seguida, gire no sentido horário até que o teclado trave no lugar.



5. Ao instalar um deadbolt ou springbolt, faça o seguinte:
 - a. Certifique-se de que o teclado esteja na orientação vertical (não girado para o lado).
 - b. Do lado de dentro da porta do cofre, insira o eixo pelo orifício central na abertura quadrada da placa de base. Oriente o eixo de modo que a ranhura no eixo fique voltada para cima, caso tenha usado orifícios verticais, ou para a direita, caso tenha usado o padrão de orifícios horizontais. Posicione o eixo de forma que o cabo da fechadura passe por dentro ou ao longo da ranhura.
 - c. Meça 9,0 mm após a extremidade da porta do cofre e marque o eixo com uma caneta ou marcador.
 - d. Remova o eixo da porta do cofre e, em seguida, corte o eixo no comprimento apropriado, conforme determinado na etapa c.
 - e. Coloque o eixo recém-cortado no teclado e, em seguida, oriente o cabo da mesma maneira descrita na etapa b.

Instalar um teclado de perfil discreto reparável

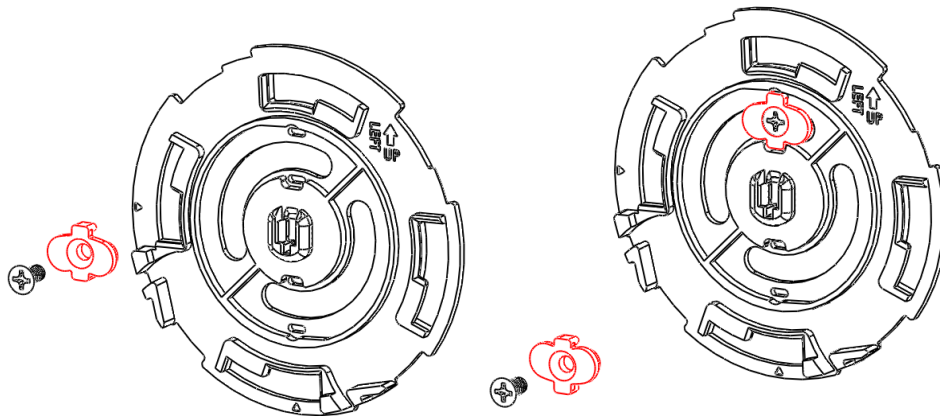
Siga estes passos para instalar corretamente um teclado de perfil discreto na porta do cofre:

1. Fure e abra os orifícios para a parte externa da parede do cofre usando o gabarito fornecido. Elimine as rebarbas dos orifícios usando uma lima ou ferramenta rotativa.

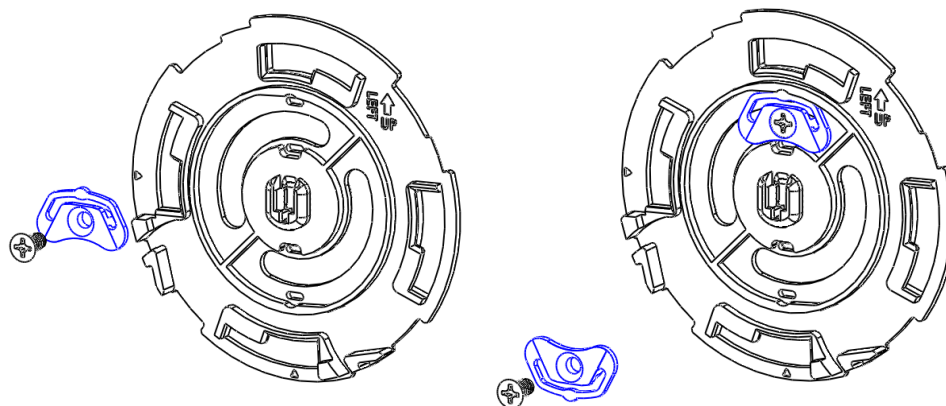
Observação: alguns fabricantes podem incluir esses orifícios em nível de OEM.

2. Instale a placa de base usando os retentores para o tipo de fechadura desejado. Antes de instalar, alinhe a placa de base na posição correta seguindo a seta de referência que aponta para cima.

Observação: ao usar orifícios horizontais, a seta de referência deve estar apontando para a esquerda.



- c. Para aplicação de swingbolt, use o tipo de retentor mostrado acima em **vermelho**.

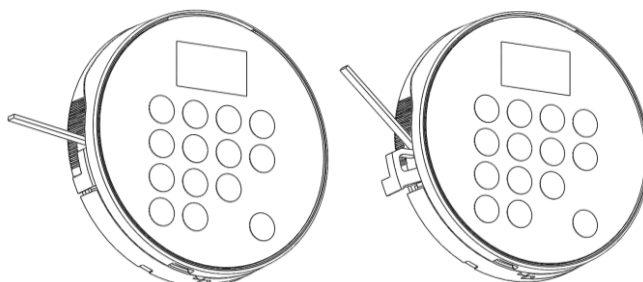


- d. Para a aplicação de deadbolt e springbolt, use o tipo de retentor mostrado acima em **azul**.

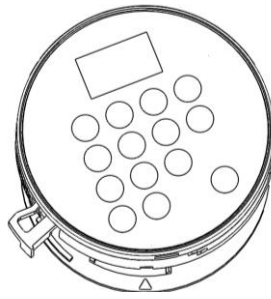
3. Instale a placa de base usando os retentores para o tipo de fechadura desejado.

Observação: este processo é muito semelhante ao método descrito para o teclado de perfil padrão reparável, porém, as placas de base são diferentes.

4. Solte a trava de retenção usando uma chave de fenda pequena ou calço de plástico e puxe-a parcialmente para fora.



5. Passe o cabo do teclado pelo orifício na placa de base de modo a sair do outro lado da porta do cofre.
6. Alinhe a ranhura na parte inferior do corpo do teclado com a marca triangular na placa de base.

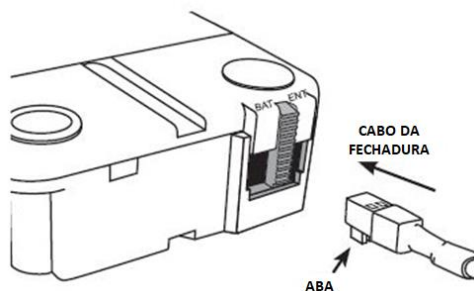


7. Depois de alinhar, instale pressionando o teclado contra a placa de base e, em seguida, gire no sentido horário até que o teclado trave no lugar. Neste ponto, ele deve estar alinhado verticalmente.
8. Empurre a trava de retenção de volta para a porta do compartimento para manter o teclado no lugar e evitar que ele gire e caia da porta do cofre.
9. Ao instalar um deadbolt ou springbolt, faça o seguinte:
 - a. Certifique-se de que o teclado esteja na orientação vertical (não girado para o lado).
 - b. Do lado de dentro da porta do cofre, insira o eixo pelo orifício central na abertura quadrada da placa de base. Oriente o eixo de modo que a ranhura no eixo fique voltada para cima, caso tenha usado orifícios verticais, ou para a direita, caso tenha usado o padrão de orifícios horizontais. Posicione o eixo de forma que o cabo da fechadura passe por dentro ou ao longo da ranhura.
 - c. Meça 9,0 mm após a extremidade da porta do cofre e marque o eixo com uma caneta ou marcador.
 - d. Remova o eixo da porta do cofre e, em seguida, corte o eixo no comprimento apropriado, conforme determinado na etapa c.
 - e. Coloque o eixo recém-cortado no teclado e, em seguida, oriente o cabo da mesma maneira descrita na etapa b.

Conectar uma fechadura para cofre a um teclado

Depois que o teclado e as fechaduras forem instalados fisicamente no cofre, eles poderão ser conectados para formar um sistema. Siga estes passos para conectar uma fechadura a um teclado:

1. Para sistemas de fechadura única, faça o seguinte:
 - a. Conecte o cabo do teclado na porta ENT. Com a fechadura conectada, ligue a energia do sistema. Se estiver usando uma caixa de alarme, caixa de bateria ou adaptador de energia CA, conecte o cabo desses acessórios na porta BAT da fechadura (conforme mostrado no diagrama abaixo)



- b. Siga as instruções na tela para teclados com visor ou consulte o Manual do usuário do sistema (documento nº 7040.1121) para teclados sem visor para inserir as configurações da fechadura e inicializar.
2. Para sistemas multifechaduras, faça o seguinte:
 - a. Conecte o cabo do teclado à porta na lateral do multiplexador.
 - b. Conecte a primeira fechadura (conhecida como fechadura 1 no sistema), indo da porta ENT à entrada 1 no multiplexador.

- c. Na fechadura 1, conecte indo da porta BAT a uma fonte de alimentação (seja conectando o adaptador de CA a uma tomada elétrica ou diretamente na porta BAT de uma caixa de bateria).
- d. Repita a etapa b para cada fechadura.
- e. Os teclados com visor mostrarão instruções na tela para continuar, enquanto os teclados sem visor exigirão comandos #. Consulte o Manual do usuário do sistema (documento nº 7041.0320) para saber mais.

Acesso e instalação da bateria

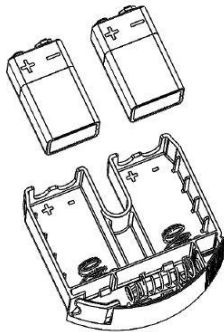
O sistema pode ser alimentado de várias maneiras: Adaptador de CA (consulte o documento nº 7037.0320), caixa de bateria (consulte o documento nº 7035.0320) e/ou bateria do teclado.

Somente o teclado de perfil padrão possui uma bateria para alimentação principal; a versão de perfil discreto usa uma bateria de reserva em caso de emergência.

Teclado de perfil padrão (inviolável)

Para teclados de perfil padrão (invioláveis), faça o seguinte para acessar e instalar as baterias:

1. Pressione o botão de mola localizado na parte inferior das baterias do teclado. O mecanismo de mola ejetará parcialmente as baterias do compartimento.
2. Com as baterias parcialmente removidas, segure-as pela ponta e as remova do teclado.



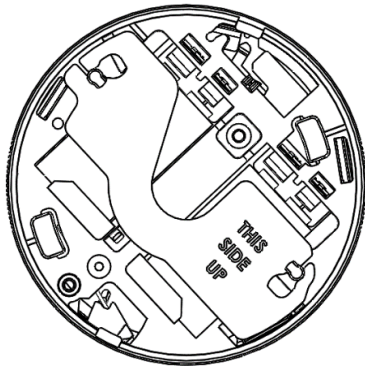
3. Neste ponto, as baterias estão livres para serem adicionadas/removidas/trocadas. Ao instalar as baterias de 9 V, use os marcadores na bandeja de baterias para garantir que a orientação +/- adequada seja seguida para cada bateria.
4. Quando terminar de instalar as baterias na bandeja de baterias, deslize a bandeja de volta para o compartimento. Quando realizado corretamente, você deve ouvir um pequeno som de “clique”, que garante que a bandeja foi travada corretamente.

Teclado de perfil padrão reparável

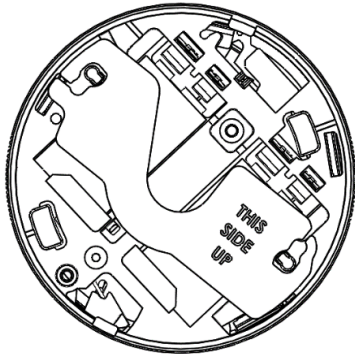
Para teclados de perfil padrão, faça o seguinte para acessar e instalar as baterias:

1. Primeiro, pressione o botão na parte inferior do corpo do teclado. Mantendo o botão pressionado, gire o teclado no sentido anti-horário até que ele se solte da placa de base. Vire o teclado para que o lado oposto do corpo do teclado fique visível.

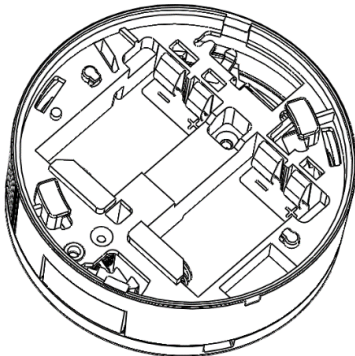
O lado oposto do teclado, com a tampa da bateria no lugar, tem a seguinte aparência:



2. Gire a tampa da bateria no sentido anti-horário para removê-la do compartimento, conforme mostrado abaixo:



3. Remova a tampa e instale as baterias. Use os marcadores na bandeja de baterias para garantir que a orientação +/- adequada seja seguida para cada bateria.



4. A tampa das baterias pode ser reinserida da mesma forma que foi removida: alinhando os encaixes (com a marcação “este lado para cima” orientada conforme a ilustração) e girando a tampa para que os encaixes se engatem na tampa das baterias.
5. Recoloque o corpo do teclado alinhando a ranhura com a marca triangular no teclado e girando no sentido horário até que o corpo do teclado pare de se mover.

Teclado de perfil discreto

Para teclados de perfil discreto, faça o seguinte para acessar e instalar as baterias de reserva:

1. Se for necessária energia de reserva (emergência), levante o painel da bateria no compartimento inferior para liberar a alça da bateria.
2. Conecte a bateria de 9 V à alça e use essa energia de reserva para abrir o cofre. Depois que a porta do cofre for aberta, desconecte a bateria de 9 V e dobre a alça de volta no teclado de perfil discreto.

Especificações

Baterias

Teclado de perfil padrão: 2 x baterias alcalinas de 9 VCC (Eveready™ ou Duracell™ altamente recomendadas)

Teclado de perfil discreto: 1 x baterias alcalinas de 9 VCC (Eveready™ ou Duracell™ altamente recomendadas, para acesso de emergência)

Relé

Entrada máx. de 12 VCC a 20 mA

Ambiental

Intervalo de temperatura operacional e de armazenamento: para conformidade com a UL, este produto foi verificado para operação a 0–50 °C

Intervalo de umidade relativa: 0–95%, sem condensação

Modelos de fechaduras para cofre

Modelos de teclado 701, 702, 702D, 703, 703B, 704, 704B e 705 (teclados de unidades de entrada) para uso com as fechaduras de alta segurança modelos 731 (Deadbolt), 732 (Springbolt), 733 (Swingbolt) e 734 (Redundante).

Modelos de teclado 7BAS para uso com as fechaduras de alta segurança modelos 7B1 (Deadbolt) e 7B3 (Swingbolt).



Klawiatura

Przewodnik instalacji

Spis treści

WPROWADZENIE	2
MONTAŻ KLAWIATURY Z MOŻLIWOŚCIĄ ŁATWEGO WYKRYCIA INGERENCJI (PROFILE STANDARDOWY I NISKI)	3
MONTAŻ KLAWIATURY O STANDARDOWYM PROFILU Z MOŻLIWOŚCIĄ SERWISOWANIA	4
MONTAŻ KLAWIATURY O NISKIM PROFILU Z MOŻLIWOŚCIĄ SERWISOWANIA	5
PODŁĄCZANIE ZAMKA SEJFOWEGO DO KLAWIATURY	7
INSTALACJA I DOSTĘP DO BATERII	8
KLAWIATURA O STANDARDOWYM PROFILU (Z MOŻLIWOŚCIĄ ŁATWEGO WYKRYCIA INGERENCJI)	8
KLAWIATURA O STANDARDOWYM PROFILU Z MOŻLIWOŚCIĄ SERWISOWANIA	8
KLAWIATURA O NISKIM PROFILU	9
DANE TECHNICZNE	9

Wprowadzenie

Klawiatury z serii LA GARD 700 są dostępne w następujących wariantach:

- Profil standardowy (z możliwością łatwego wykrycia ingerencji)
- Profil niski (z możliwością łatwego wykrycia ingerencji)
- Profil standardowy (z możliwością serwisowania)
- Profil niski (z możliwością serwisowania)

Przed włożeniem baterii lub podłączeniem zasilania klawiaturę należy zamontować i podłączyć do kompatybilnego zamka z serii 700.

- Klawiatury o standardowym profilu z możliwością łatwego wykrycia ingerencji są zasilane 2 bateriami o napięciu 9 V. Dostęp do nich umożliwia wyjmowana komora baterii.
- Klawiatury o standardowym profilu z możliwością serwisowania są zasilane 2 bateriami o napięciu 9 V. Dostęp do nich uzyskuje się poprzez zdjęcie przedniej części klawiatury.
- Klawiatury o niskim profilu wymagają zainstalowania dodatkowej skrzynki akumulatorowej lub zasilacza sieciowego.

Montaż klawiatury z możliwością łatwego wykrycia ingerencji (profile standardowy i niski)

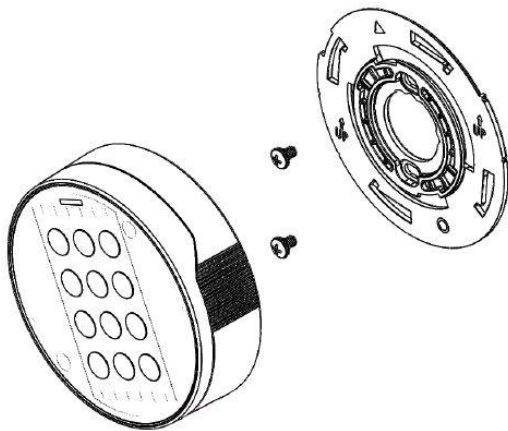
Przed podłączeniem zamka sejfowego do klawiatury, klawiaturę należy najpierw zamontować na zewnątrz drzwi sejfu. Aby zamontować klawiaturę do drzwi sejfu, należy wykonać następujące kroki:

1. Wywiercić i nagwintować otwory na zewnątrz ściany sejfu, używając dołączonych do zestawu wiertła i wzornika gwintów. Wygładzić środkowy otwór pilnikiem lub narzędziem obrotowym.
Uwaga: niektórzy producenci sejfów mogą uwzględnić otwory na poziomie OEM.
2. Przykręcić płytę podstawy klawiatury do drzwi sejfu dołączonymi do zestawu śrubami z łbem krzyżakowym. Do zestawu są dołączone śruby w dwóch wariantach: M4-07 wg systemu metrycznego oraz #8-32 wg zwyczajowego systemu amerykańskiego.
3. W przypadku montażu zamka z rygłem lub śrubą sprężynową należy wykonać następujące czynności:



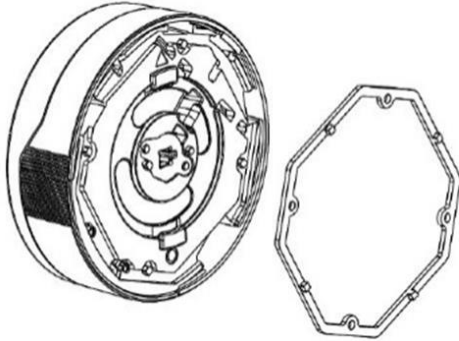
Nie używać blokady obrotu podczas tego procesu, ponieważ spowoduje ona trwałe zamknięcie sejfu.

- a. Przeprowadzić kabel zamka sejfowego przez uchwyt kabla i umieścić uchwyt kabla nad odpowiednimi słupkami korpusu klawiatury.
- b. Całkowicie przeprowadzić wrzeciono przez dolną część obudowy z tworzywa sztucznego.
- c. Umieścić klawiaturę na drzwiach. Obrócić klawiaturę o 25° zgodnie z kierunkiem ruchu wskazówek zegara, aby wyrównać ją w pionie. Odmierzyć 9,0 mm (0,354 in) ponad krawędź drzwi sejfu i oznaczyć wrzeciono długopisem lub markerem.
- d. Zdjąć klawiaturę z drzwi sejfu i wyjąć wrzeciono z klawiatury.
- e. Dociąć wrzeciono na odpowiednią długość ustaloną w kroku c.
- f. Umieścić docięte wrzeciono w klawiaturze, ponownie przeprowadzając je przez uchwyty kabla i wrzeciona.
- g. Przeprowadzić kabel zamka sejfowego przez otwór w drzwiach sejfu.
- h. Umieścić klawiaturę nad otworem w rowkach płyty podstawy i obrócić o 25° do położenia pionowego.



4. W przypadku montażu zamka ze śrubą oczkową należy wykonać następujące czynności:
 - a. Umieścić blokadę obrotu w czterech otworach w obudowie. Lekko docisnąć, aby blokada obrotu weszła w kanał w obudowie.
Uwaga: upewnić się, że blokada obrotu jest prawidłowo ustawiona. W przeciwnym razie nie zazębi się prawidłowo z płytą podstawy po zamocowaniu.
 - b. Przeprowadzić kabel przez otwór w uchwycie kabla i umieścić uchwyt kabla nad odpowiednimi słupkami korpusu klawiatury.

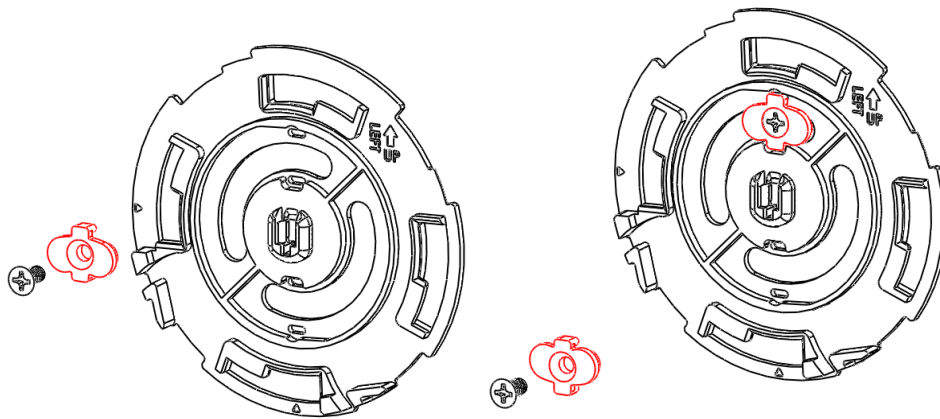
- c. Przeprowadzić kabel zamka sejfowego przez otwór w drzwiach sejfów.
- d. Umieścić klawiaturę nad otworem w kanale płyty podstawy i obrócić o 25° do położenia pionowego. Podczas nakręcania blokady obrotu występuje pewien opór.
- e. Blokada obrotu wskoczy na swoje miejsce, na stałe blokując klawiaturę w położeniu pionowym. Klawiatury nie będzie można zdjąć z drzwi sejfów bez jej uszkodzenia.
- f. Zamocować śrubę oczkową.



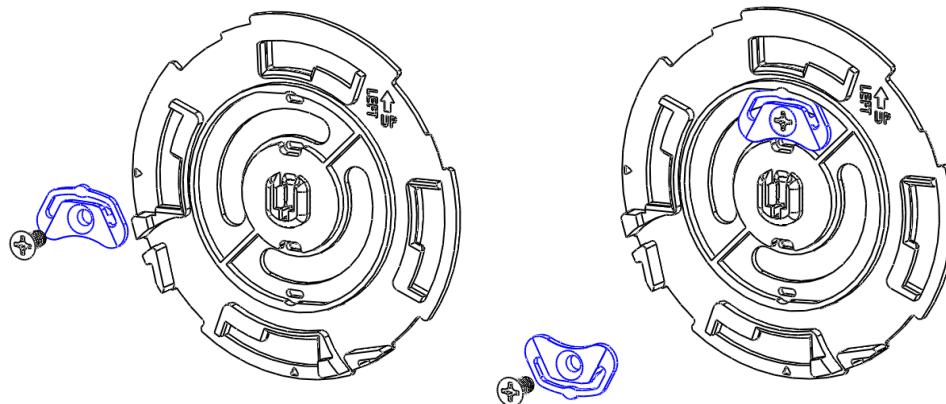
Montaż klawiatury o standardowym profilu z możliwością serwisowania

Aby zamontować klawiaturę o standardowym profilu z możliwością serwisowania do drzwi sejfów, należy wykonać następujące kroki:

1. Wywiercić i nagwintować otwory na zewnątrz ściany sejfów, używając dołączonych do zestawu wiertła i wzornika gwintów. Wygładzić środkowy otwór pilnikiem lub narzędziem obrotowym.
Uwaga: niektórzy producenci sejfów mogą uwzględnić otwory na poziomie OEM.
2. Zamocować płytę podstawy, używając elementów ustalających dopasowanych do typu zamka. Przed montażem ustawić płytę podstawy w prawidłowym położeniu, tak aby strzałka odniesienia była skierowana do góry.
Uwaga: w przypadku używania poziomo ułożonych otworów strzałka odniesienia powinna być skierowana w lewo.

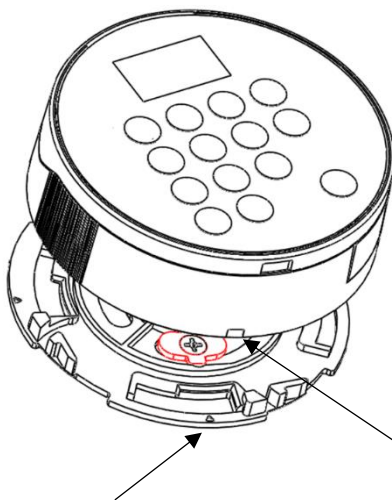


- a. W przypadku śruby oczkowej należy użyć elementów ustalających oznaczonych powyżej **kolorem czerwonym**.



- b. W przypadku rygla i śruby sprężynowej należy użyć elementów ustalających oznaczonych powyżej kolorem niebieskim.

3. Poprowadzić kabel zamka przez otwór w płycie podstawy, aby przechodził przez drugi koniec drzwi sejfów.
4. Wyrównać wgłębienie na dole korpusu klawiatury z trójkątnym oznaczeniem w płycie podstawy (patrz strzałki na poniższym schemacie). Po wyrównaniu zamocować, dociskając klawiaturę do płyty podstawy, a następnie obracając zgodnie z kierunkiem ruchu wskazówek zegara, aż zablokuje się w odpowiednim położeniu.

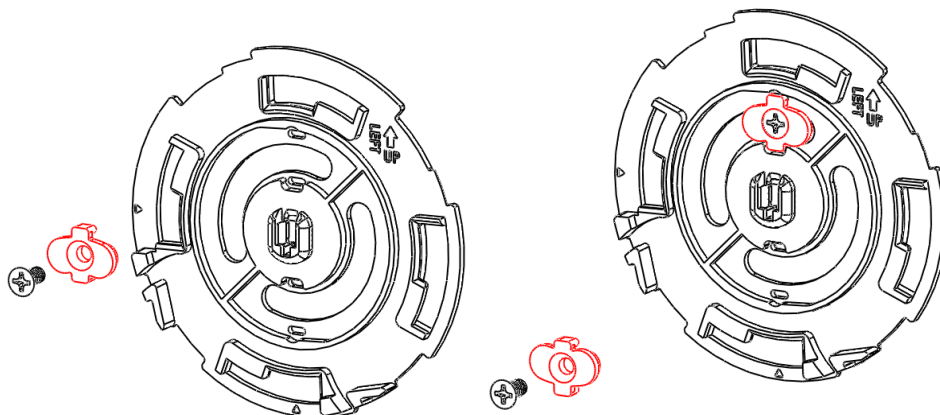


5. W przypadku montażu zamka z rygłem lub śrubą sprężynową należy wykonać następujące czynności:
 - a. Upewnić się, że klawiatura jest ustawiona pionowo (nie jest obrócona w bok).
 - b. Włożyć wrzeciono od wewnątrz drzwi sejfów przez środkowy otwór do kwadratowego otworu w płycie podstawy. Ustawić wrzeciono tak, aby rowek we wrzecionie był ustawiony do góry, jeśli użyto pionowo ułożonych otworów na śruby, lub w prawo, jeśli użyto poziomo ułożonych otworów na śruby. Umieścić wrzeciono tak, aby kabel zamka przebiegał wewnątrz lub wzdłuż rowka.
 - c. Odmierzyć 9,0 mm (0,354 in) ponad krawędź drzwi sejfów i oznaczyć wrzeciono długopisem lub markerem.
 - d. Wyjąć wrzeciono z drzwi sejfów, a następnie dociąć wrzeciono na odpowiednią długość ustaloną w kroku c.
 - e. Umieścić docięte wrzeciono w klawiaturze, a następnie poprowadzić kabel w taki sam sposób, jak opisano w kroku b.

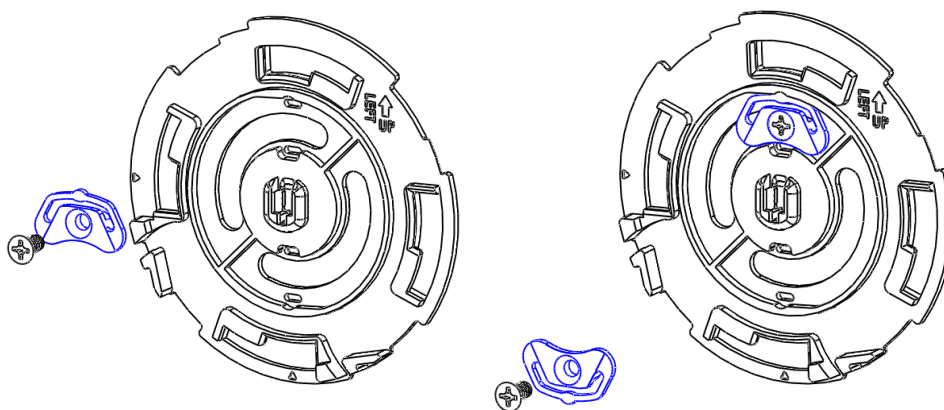
Montaż klawiatury o niskim profilu z możliwością serwisowania

Aby zamontować klawiaturę o niskim profilu do drzwi sejfów, należy wykonać następujące kroki:

1. Wywiercić i nagwintować otwory na zewnątrz ściany sejfów, używając dołączonych do zestawu wiertła i wzornika gwintów. Wygładzić środkowy otwór pilnikiem lub narzędziem obrotowym.
Uwaga: niektórzy producenci sejfów mogą uwzględnić otwory na poziomie OEM.
2. Zamocować płytę podstawy, używając elementów ustalających dopasowanych do typu zamka. Przed montażem ustawić płytę podstawy w prawidłowym położeniu, tak aby strzałka odniesienia była skierowana do góry.
Uwaga: w przypadku używania poziomo ułożonych otworów strzałka odniesienia powinna być skierowana w lewo.

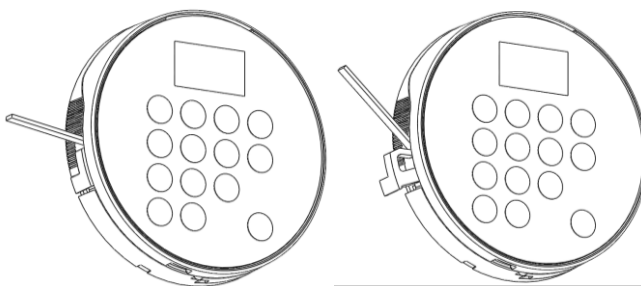


- c. W przypadku śruby oczkowej należy użyć elementów ustalających oznaczonych powyżej **kolorem czerwonym**.

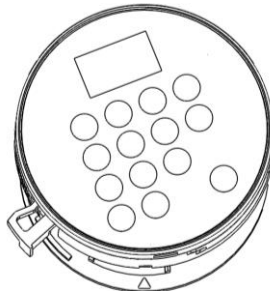


- d. W przypadku rygla i śruby sprężynowej należy użyć elementów ustalających oznaczonych powyżej **kolorem niebieskim**.

3. Zamocować płytę podstawy, używając elementów ustalających dopasowanych do typu zamka.
Uwaga: ten proces jest bardzo podobny do metody dla klawiatury o standardowym profilu z możliwością serwisowania, aczkolwiek płyta podstawy jest inna.
4. Zwolnić zatrzask zabezpieczający małym, płaskim śrubokrętem lub plastikową podkładką i częściowo wyciągnąć.



5. Poprowadzić kabel klawiatury przez otwór w płycie podstawy, aby przechodził przez drugi koniec drzwi sejfów.
6. Wyrównać wgłębienie na dole korpusu klawiatury z trójkątnym oznaczeniem w płycie podstawy.

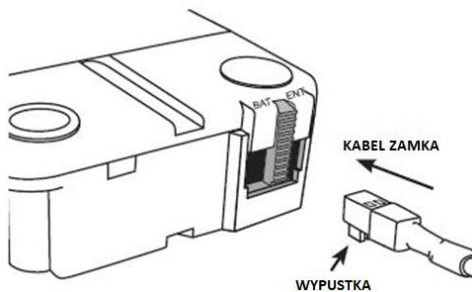


7. Po wyrównaniu zamocować, dociskając klawiaturę do płyty podstawy, a następnie obracając zgodnie z kierunkiem ruchu wskazówek zegara, aż zablokuje się w odpowiednim położeniu. Powinna być teraz wyrównana w położeniu pionowym.
8. Wepchnąć zatrzask zabezpieczający z powrotem do portu obudowy, by klawiatura pozostała na swoim miejscu i nie obracała się ani nie spadła z drzwi sejfów.
9. W przypadku montażu zamka z rygłem lub śrubą sprężynową należy wykonać następujące czynności:
 - a. Upewnić się, że klawiatura jest ustawiona pionowo (nie jest obrócona w bok).
 - b. Włożyć wrzeciono od wewnątrz drzwi sejfów przez środkowy otwór do kwadratowego otworu w płycie podstawy. Ustawić wrzeciono tak, aby rowek we wrzecionie był ustawiony do góry, jeśli użyto pionowo ułożonych otworów na śruby, lub w prawo, jeśli użyto poziomo ułożonych otworów na śruby. Umieścić wrzeciono tak, aby kabel zamka przebiegał wewnątrz lub wzdłuż rowka.
 - c. Odmierzyć 9,0 mm (0,354 in) ponad krawędź drzwi sejfów i oznaczyć wrzeciono długopisem lub markerem.
 - d. Wyjąć wrzeciono z drzwi sejfów, a następnie dociąć wrzeciono na odpowiednią długość ustaloną w kroku c.
 - e. Umieścić docięte wrzeciono w klawiaturze, a następnie poprowadzić kabel w taki sam sposób, jak opisano w kroku b.

Podłączanie zamka sejfowego do klawiatury

Po zamontowaniu klawiatury i zamka (lub zamków) do sejfów, można je połączyć, aby stworzyć system. Aby połączyć zamek sejfowy z klawiaturą, należy wykonać następujące kroki:

1. W przypadku systemów złożonych z jednego zamka wykonać następujące czynności:
 - a. Podłączyć kabel od klawiatury do portu ENT. Po podłączeniu zamka włączyć zasilanie do systemu. Jeśli używane są skrzynka akumulatorowa, centralka alarmowa lub zasilacz sieciowy, podłączyć kabel tych akcesoriów do portu BAT zamka sejfowego (jak pokazano na poniższym rysunku).



- b. W przypadku klawiatur z wyświetlaczem postępować według instrukcji na ekranie, by wprowadzić ustawienia i zainicjować zamek. W przypadku klawiatur bez wyświetlacza należy sprawdzić, jak wykonać te czynności w przewodniku użytkownika systemu (nr dokumentu 7040.1121).
2. W przypadku systemów złożonych z kilku zamków wykonać następujące czynności:
 - a. Podłączyć kabel klawiatury do portu z boku multipleksera.
 - b. Podłączyć pierwszy zamek sejfowy (określany mianem zamka nr 1) z portu ENT do wejścia nr 1 multipleksera.
 - c. Podłączyć źródło zasilania (zasilacz sieciowy, gniazdo ścienna lub port BAT skrzynki akumulatorowej) do portu BAT zamka nr 1.
 - d. Powtórzyć krok b dla każdego zamka sejfowego.

- e. W przypadku klawiatur z wyświetlaczem na ekranie będą wyświetlać się dalsze instrukcje. W przypadku klawiatur bez wyświetlacza konieczne jest wprowadzenie poleceń poprzedzonych krzyżykiem (#). Więcej informacji można znaleźć w przewodniku użytkownika systemu (nr dokumentu 7041.0320).

Instalacja i dostęp do baterii

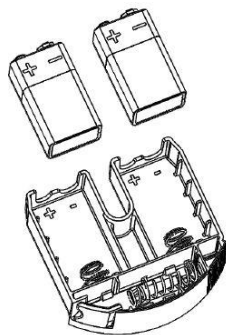
System może być zasilany na kilka sposobów: Zasilacz sieciowy (patrz dokument nr 7037.0320), skrzynka akumulatorowa (patrz dokument nr 7035.0320) lub bateria umieszczona w klawiaturze.

Tylko klawiatura o standardowym profilu ma zestaw baterii, który jest głównym źródłem zasilania. Wersja o niskim profilu wykorzystuje baterię rezerwową na wypadek nagłej sytuacji.

Klawiatura o standardowym profilu (z możliwością łatwego wykrycia ingerencji)

W przypadku klawiatur o standardowym profilu (z możliwością łatwego wykrycia ingerencji) wykonać następujące czynności, aby uzyskać dostęp do baterii i włożyć baterie:

1. Docisnąć przycisk sprężynowy znajdujący się na spodzie zestawu baterii klawiatury. Mechanizm sprężynowy spowoduje częściowe wysunięcie zestawu baterii z obudowy.
2. Po częściowym wysunięciu zestawu baterii chwycić końcówkę zestawu i wyjąć go z klawiatury.



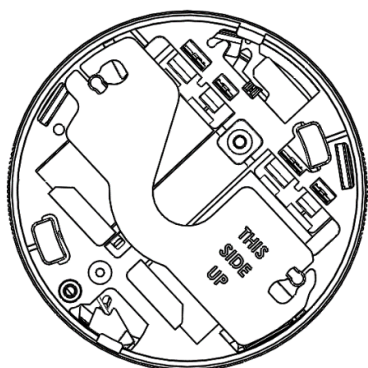
3. Teraz można dowolnie dodawać/wyjmować/wymieniać baterie. Przy wkładaniu baterii 9 V należy postąpić zgodnie z oznaczeniami na komorze baterii.
4. Po włożeniu baterii do komory wsunąć ją z powrotem do obudowy urządzenia. Po prawidłowym wykonaniu tej czynności można usłyszeć ciche „kliknięcie”.

Klawiatura o standardowym profilu z możliwością serwisowania

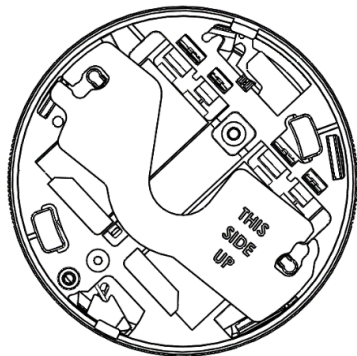
W przypadku klawiatur o standardowym profilu należy wykonać następujące czynności, aby uzyskać dostęp do baterii i włożyć baterie:

1. Najpierw nacisnąć przycisk znajdujący się na spodzie korpusu klawiatury. Trzymając wciśnięty przycisk, obrócić klawiaturę zgodnie z kierunkiem ruchu wskazówek zegara, aby zdjąć ją z płyty podstawy. Odwrócić klawiaturę, aby widoczny był tył korpusu klawiatury.

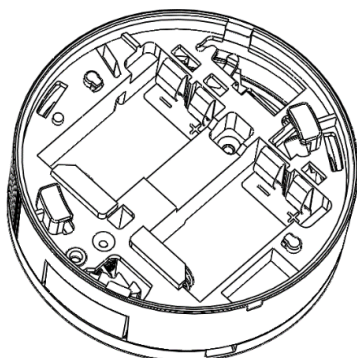
Tył klawiatury z zamocowaną pokrywą baterii wygląda następująco:



2. Obrócić pokrywę baterii w kierunku przeciwnym do ruchu wskazówek zegara, aby zdjąć ją z obudowy, jak pokazano niżej:



3. Zdjąć pokrywę baterii i włożyć baterię. Przy wkładaniu baterii skorzystać z oznaczeń +/- na komorze baterii.



4. Pokrywę baterii można założyć w taki sam sposób, w jaki ją zdjęto: wyrównując słupki (zgodnie z oznaczeniem „tą stroną do góry” przedstawionym na rysunku) i przekręcając obudowę, aby słupki zazębiły się z pokrywą baterii.
5. Założyć korpus klawiatury na podstawę, wyrównując wgłębienie z trójkątnym oznaczeniem na klawiaturze i obracając zgodnie z ruchem wskazówek zegara, aż korpus przestanie się poruszać.

Klawiatura o niskim profilu

W przypadku klawiatur o niskim profilu należy wykonać następujące czynności, aby uzyskać dostęp i włożyć baterię rezerwową:

1. Jeśli potrzebne jest zasilanie rezerwowe (awaryjne), podnieść panel baterii w dolnej części obudowy, co spowoduje zwolnienie uchwytu baterii.
2. Umieścić baterię 9 V w uchwycie i wykorzystać zasilanie, by dostać się do sejfu. Po otwarciu drzwi sejfu odłączyć baterię 9 V i umieścić uchwyt baterii z powrotem w klawiaturze o niskim profilu.

Dane techniczne

Baterie

Klawiatura o standardowym profilu: Baterie alkaliczne 2 x 9 V DC (zdecydowanie zaleca się baterie marek Eveready™ lub Duracell™)

Klawiatura o niskim profilu: Baterie alkaliczne 1 x 9 V DC (zdecydowanie zaleca się baterie marek Eveready™ lub Duracell™ celem dostępu w nagłej sytuacji)

Przełącznik

12 V DC przy maks. natężeniu 20 mA

Dane środowiskowe

Zakres temperatury pracy i przechowywania: produkt sprawdzono wg standardu UL w temperaturze 0–50°C (32–122°F).

Zakres wilgotności względnej: 0–95% bez kondensacji

Modele zamków sejfowych

Modele klawiatur 701, 702, 702D, 703, 703B, 704, 704B i 705 (klawiatury z jednostką wejściową) do użytku z modelami zamków o wysokim poziomie bezpieczeństwa 731 (rygiel), 732 (śruba sprężynowa), 733 (śruba oczkowa) i 734 (zamek nadmiarowy).

Modele klawiatur 7BAS do użytku z modelami zamków o wysokim poziomie bezpieczeństwa 7B1 (rygiel) i 7B3 (śruba oczkowa).